

CS 4644-DL / 7643-A: LECTURE 16

DANFEI XU

Recurrent Neural Networks (RNN)

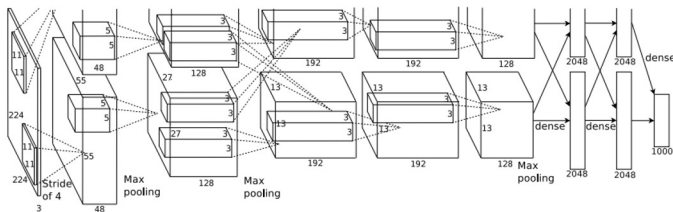
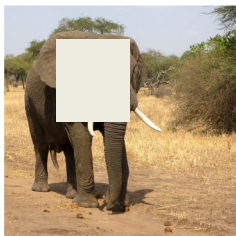
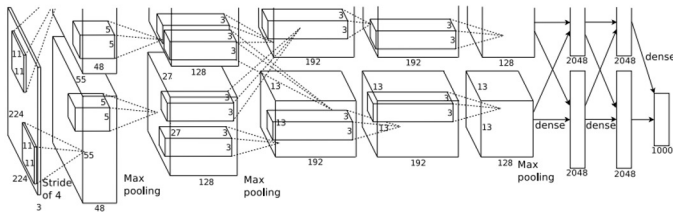
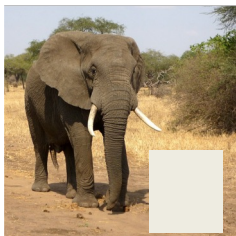
Long Short-Term Memory (LSTM)

Administrative:

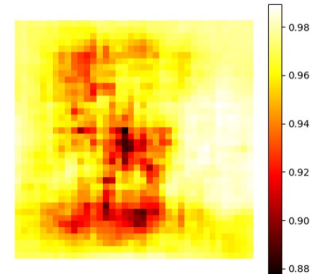
- **Assignment 2 grace period ends today!**
- **Milestone guideline is out**

Which pixels matter: Saliency via Occlusion

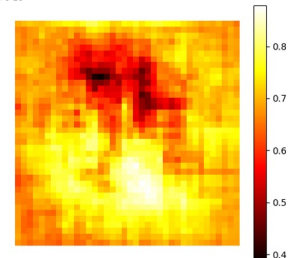
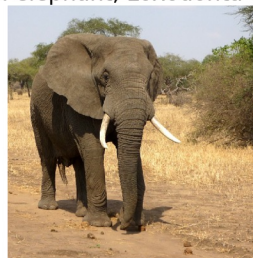
Mask part of the image before feeding to CNN, check how much predicted probabilities change



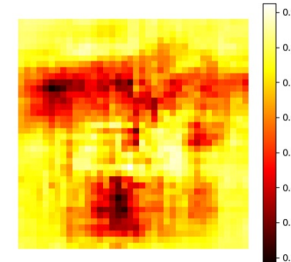
schooner



African elephant, *Loxodonta africana*

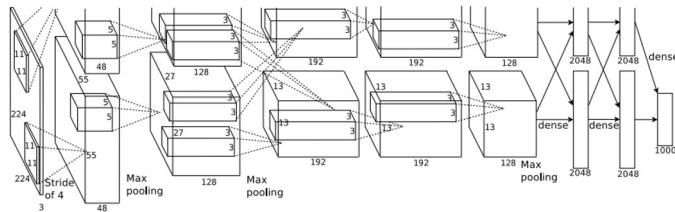


go-kart



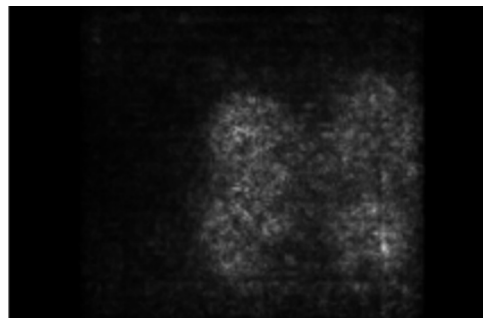
Which pixels matter: Saliency via Backprop

Forward pass: Compute probabilities



Dog

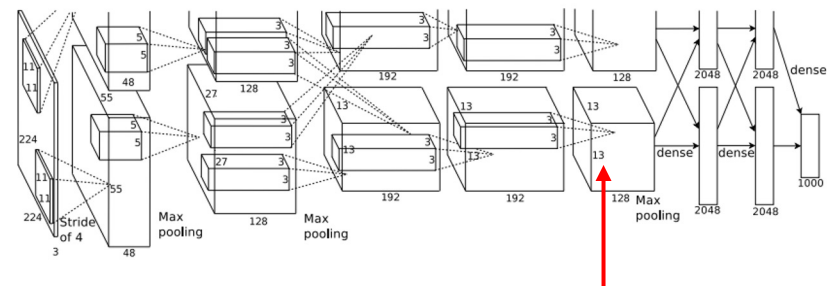
Compute gradient of (unnormalized) class score with respect to image pixels, take absolute value and max/sum over RGB channels



Simonyan, Vedaldi, and Zisserman, "Deep Inside Convolutional Networks: Visualising Image Classification Models and Saliency Maps", ICLR Workshop 2014.

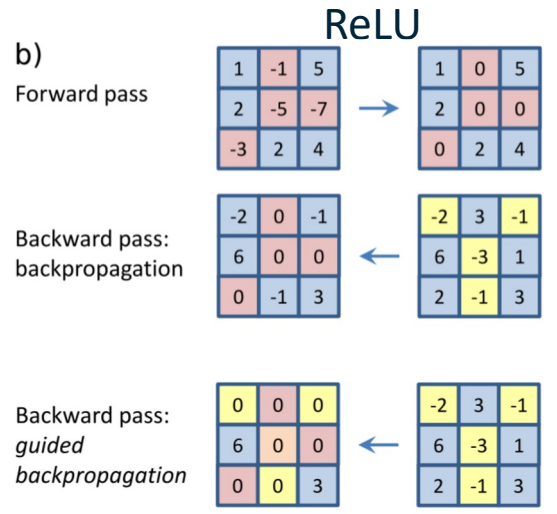
Figures copyright Karen Simonyan, Andrea Vedaldi, and Andrew Zisserman, 2014; reproduced with permission.

Intermediate Features via (guided) backprop



Pick a single intermediate neuron, e.g. one value in 128 x 13 x 13 conv5 feature map

Compute gradient of activation value with respect to image pixels



Guided backprop: suppress pathways that have negative gradients --- only backprop positive gradients through each ReLU

Guided Backprop Results

guided backpropagation



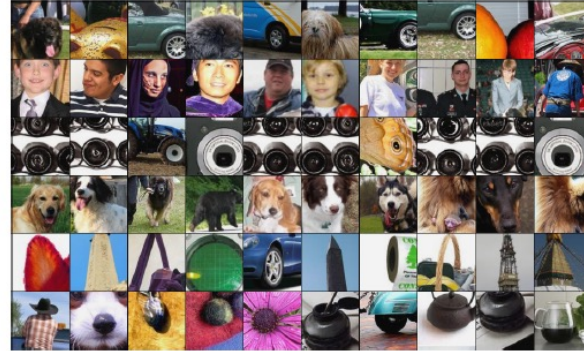
corresponding image crops



guided backpropagation



corresponding image crops



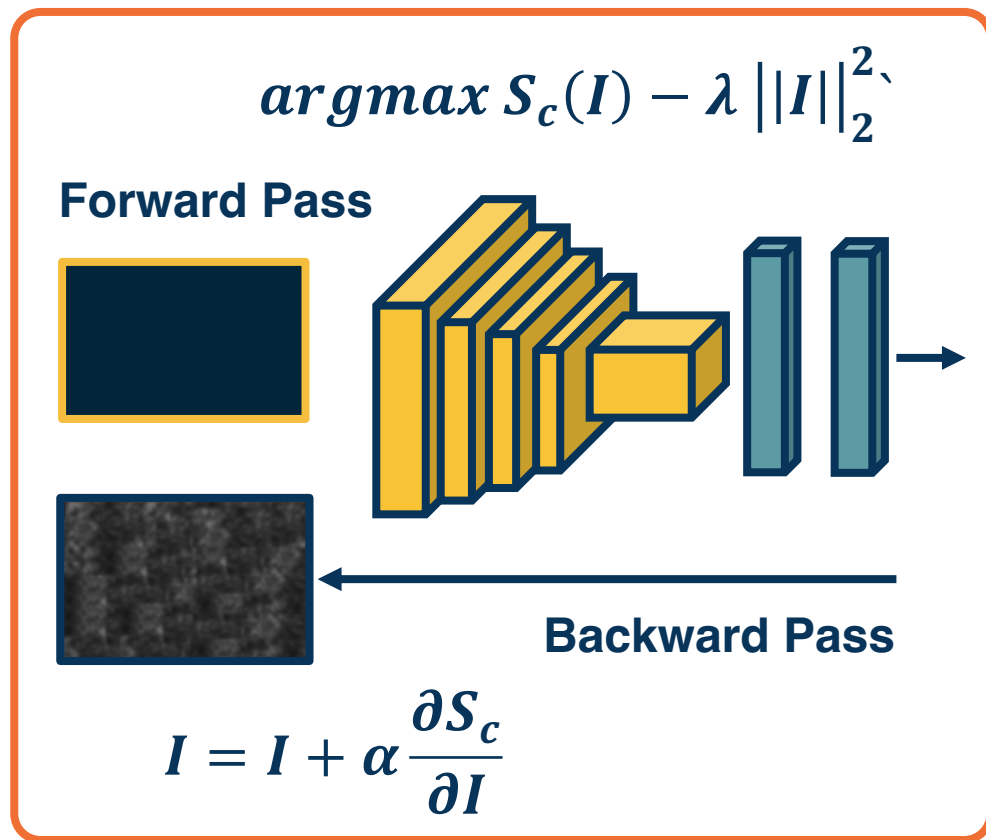
From: Springenberg et al., "Striving For Simplicity: The All Convolutional Net"

We can perform **gradient ascent** on image for image generation

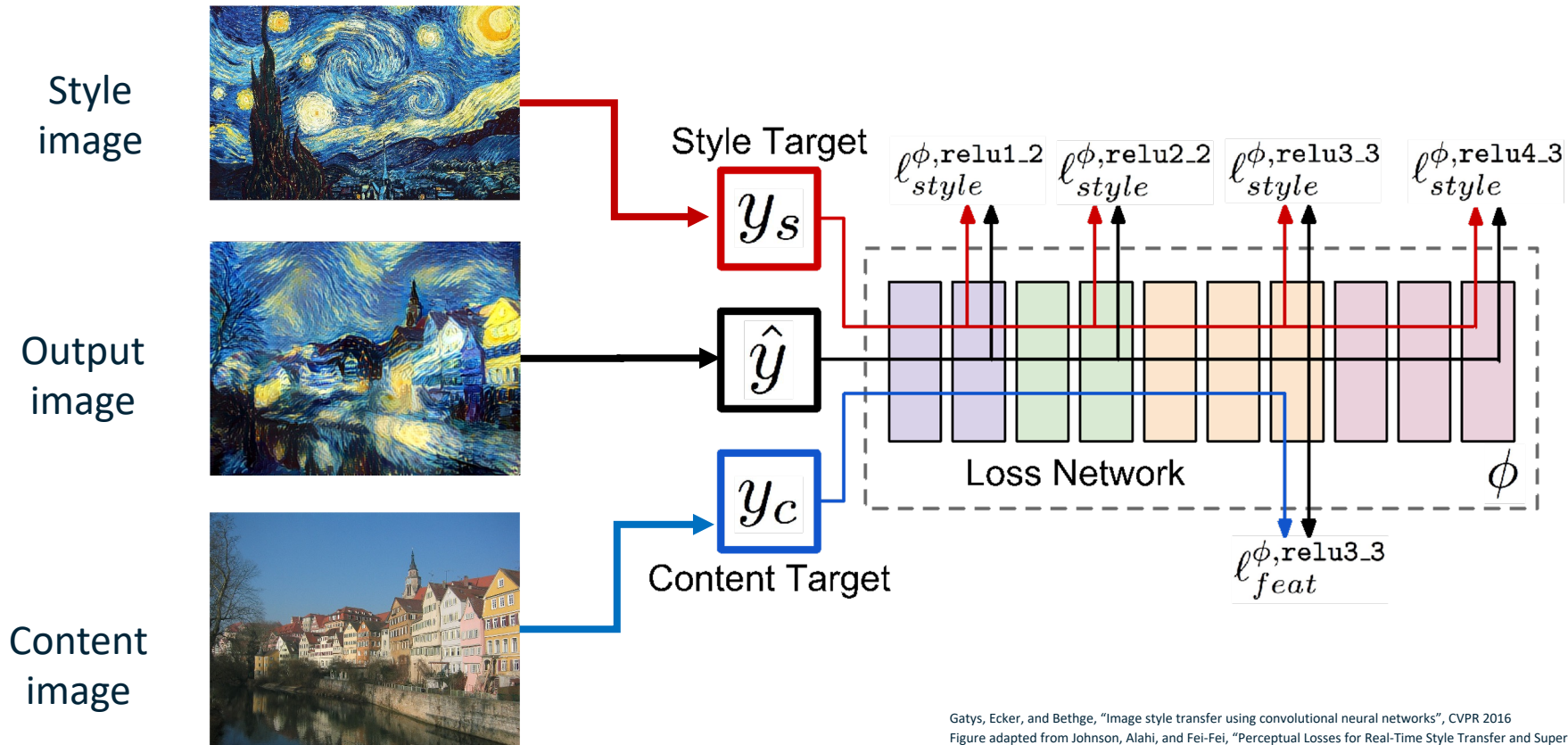
- Start from random/zero image
- Use scores to avoid minimizing other class scores instead

Often need **regularization term** to induce statistics of natural imagery

- E.g. small pixel values, spatial smoothness



From: Simonyan et al., "Deep Inside Convolutional Networks: Visualising Image Classification Models and Saliency Maps", 2013

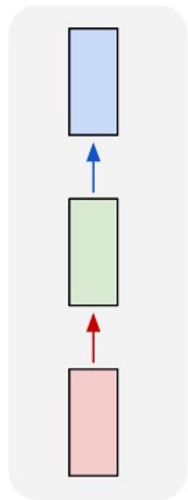


Gatys, Ecker, and Bethge, "Image style transfer using convolutional neural networks", CVPR 2016
 Figure adapted from Johnson, Alahi, and Fei-Fei, "Perceptual Losses for Real-Time Style Transfer and Super-Resolution", ECCV 2016. Copyright Springer, 2016. Reproduced for educational purposes.

Today: Recurrent Neural Networks

“Vanilla” Neural Network

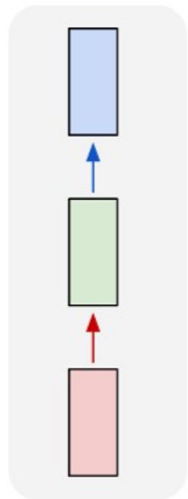
one to one



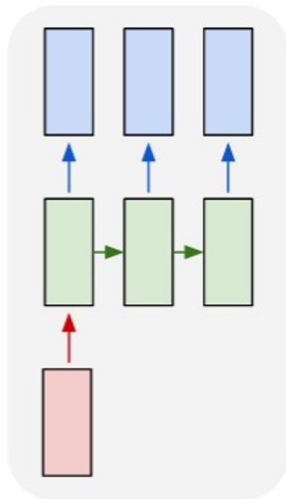
Vanilla Neural Networks

Recurrent Neural Networks: Process Sequences

one to one



one to many

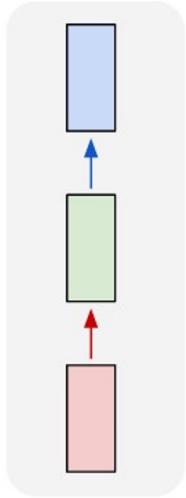


e.g. **Image Captioning**

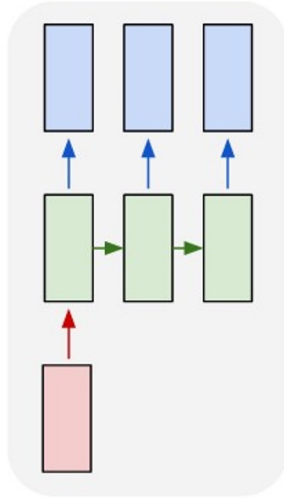
image -> sequence of words

Recurrent Neural Networks: Process Sequences

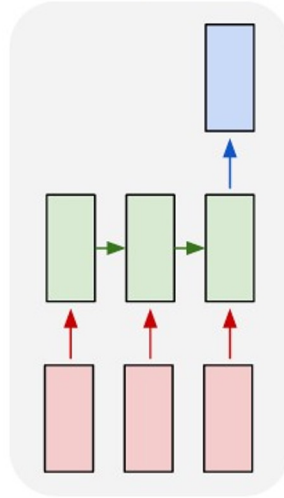
one to one



one to many



many to one

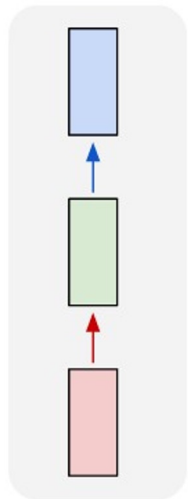


e.g. **sentiment analysis**

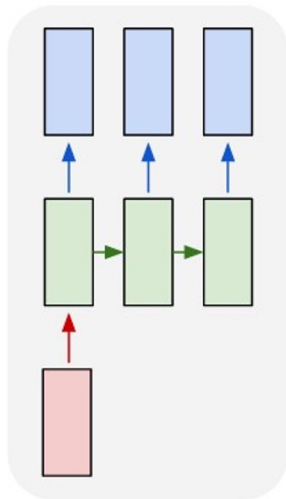
sequence of words -> sentiment label

Recurrent Neural Networks: Process Sequences

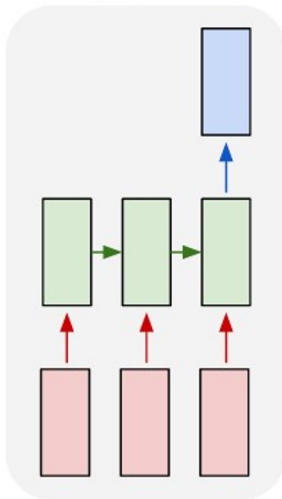
one to one



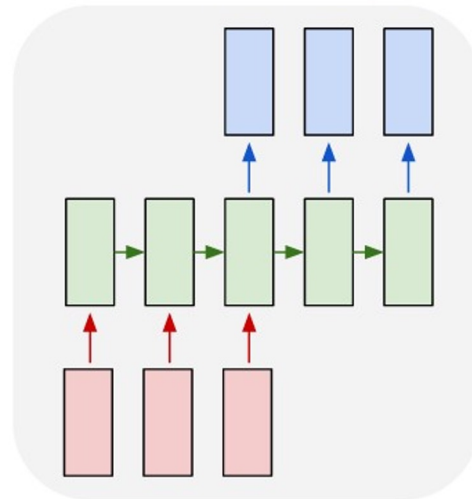
one to many



many to one



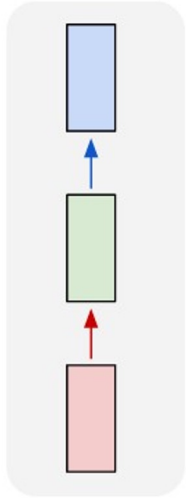
many to many



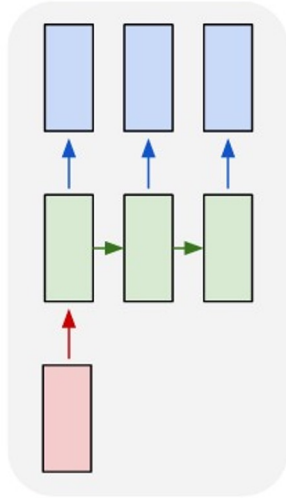
E.g. Translation
Sequence of words ->
sequence of words

Recurrent Neural Networks: Process Sequences

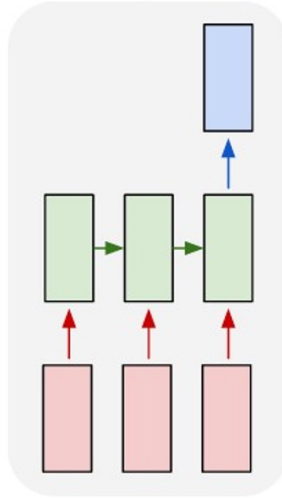
one to one



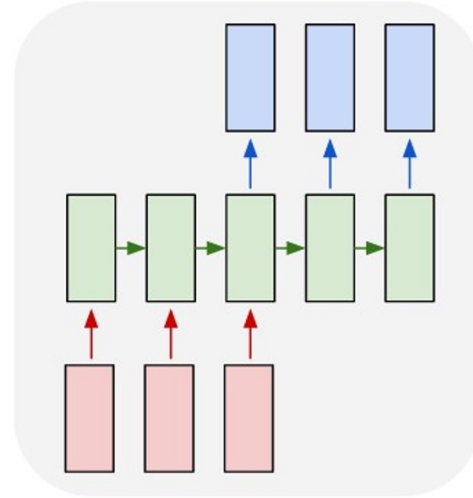
one to many



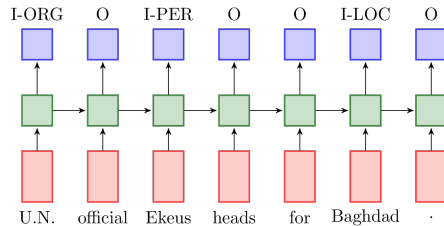
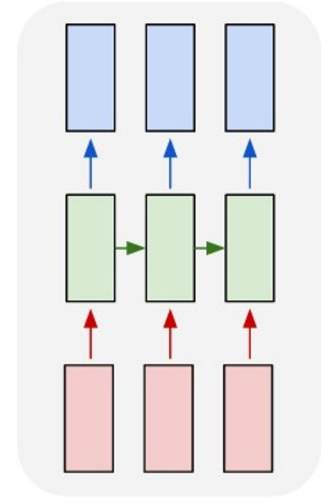
many to one



many to many



many to many



e.g. **Language entity recognition**

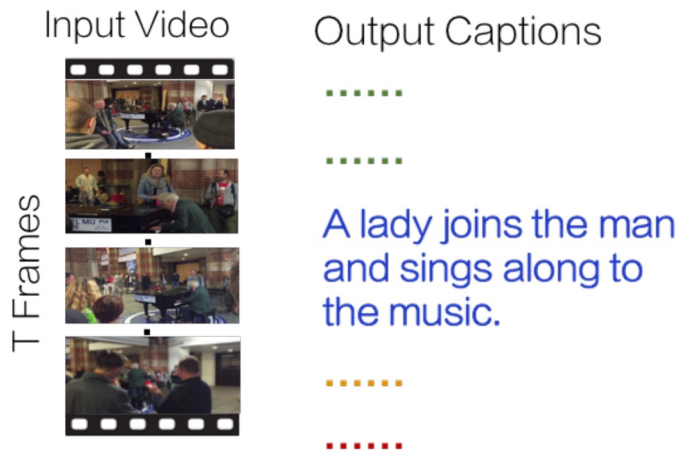
Why are existing convnets insufficient?

Variable sequence length inputs and outputs!

Example task: video captioning

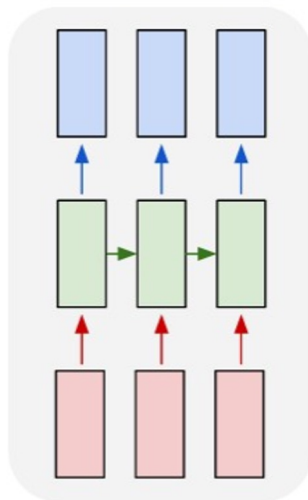
Input video can have variable number of frames

Output captions can be variable length.

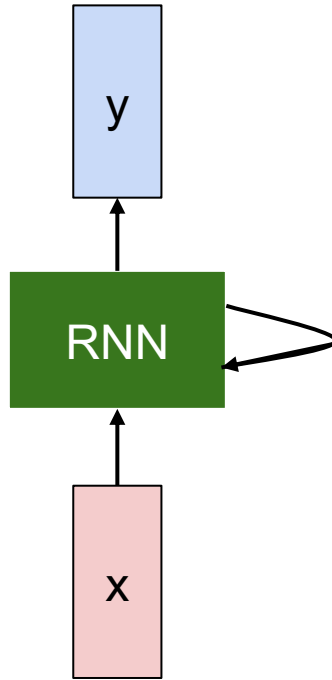


Let's start with a task that takes a variable input and produces an output at every step

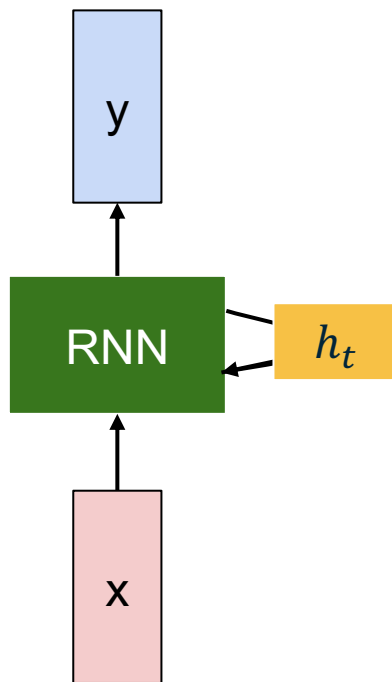
many to many



Recurrent Neural Network

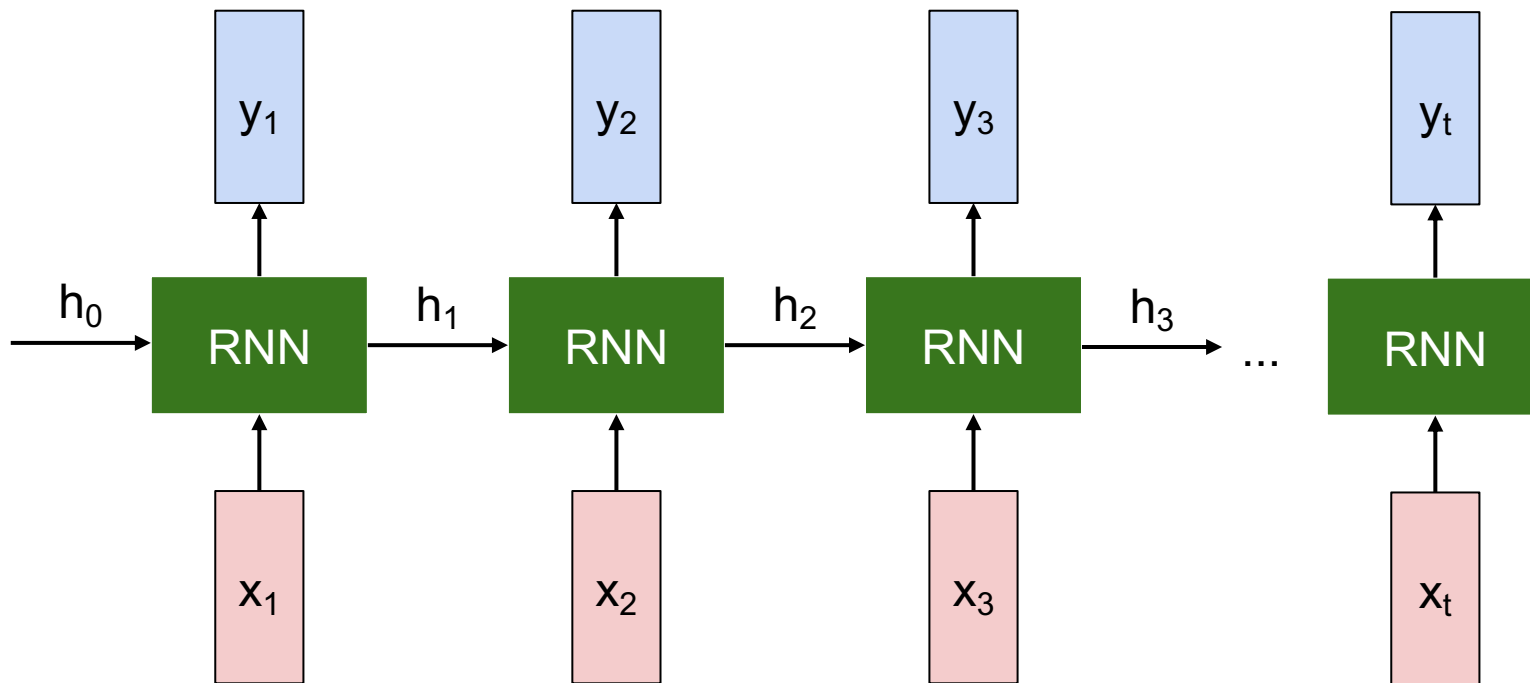


Recurrent Neural Network



Key idea: RNNs have an “internal state” that is updated as a sequence is processed. You can think of it as “memory”.

Unrolled RNN

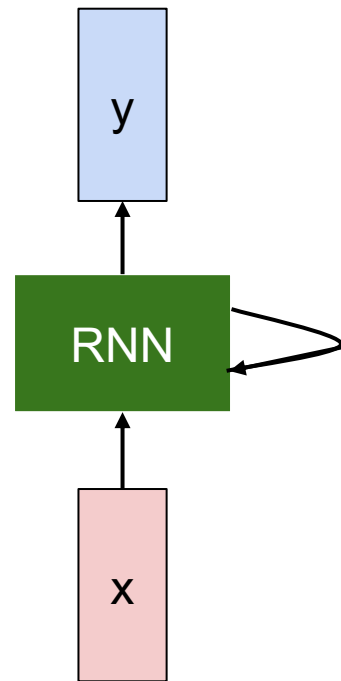


RNN hidden state update

We can process a sequence of vectors \mathbf{x} by applying a **recurrence formula** at every time step:

$$\boxed{h_t} = \boxed{f_W}(\boxed{h_{t-1}}, \boxed{x_t})$$

new state (vector) some function with parameters W old state (vector) input vector at some time step



Can set initial state h_0 to all 0's

RNN output generation

We can process a sequence of vectors \mathbf{x} by applying a **recurrence formula** at every time step:

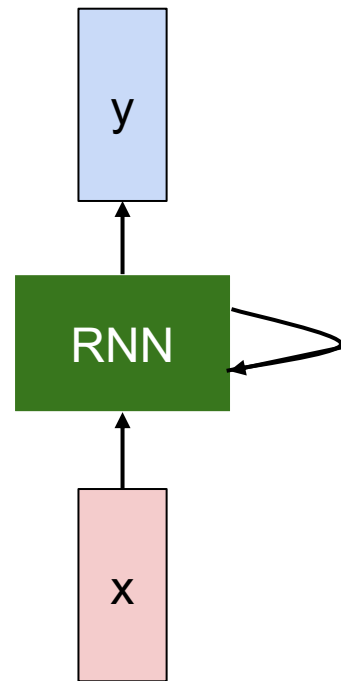
$$y_t = f_{W_{hy}}(h_t)$$

output

new state

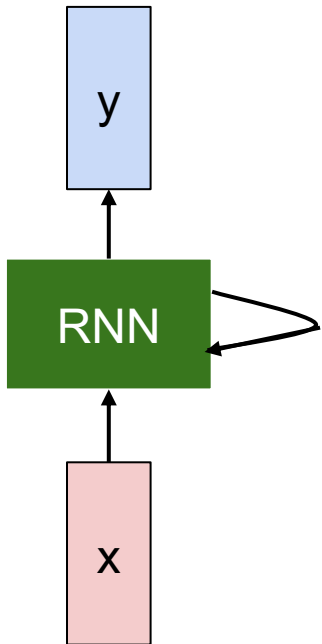
another function with parameters W_0

Can set initial state h_0 to all 0's



(Simple) Recurrent Neural Network

The state consists of a single “hidden” vector h :



$$h_t = f_W(h_{t-1}, x_t)$$

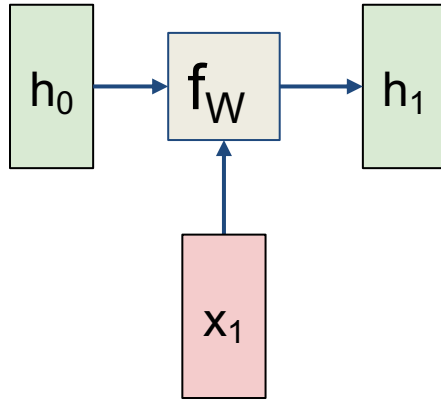


$$h_t = \tanh(W_{hh}h_{t-1} + W_{xh}x_t)$$

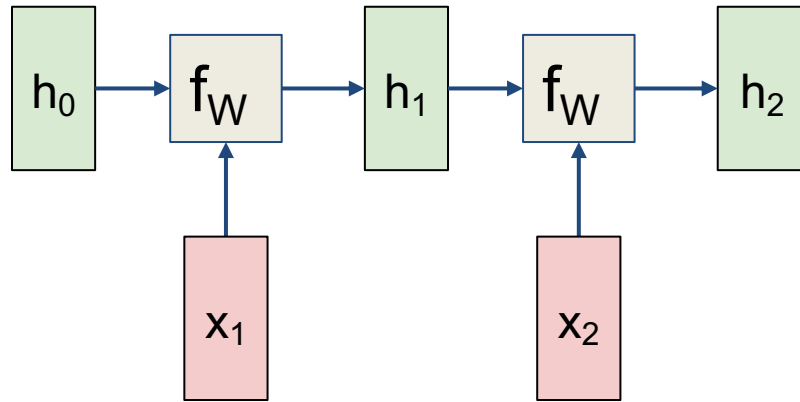
$$y_t = W_{hy}h_t$$

Sometimes called a “Vanilla RNN” or an “Elman RNN” after Prof. Jeffrey Elman

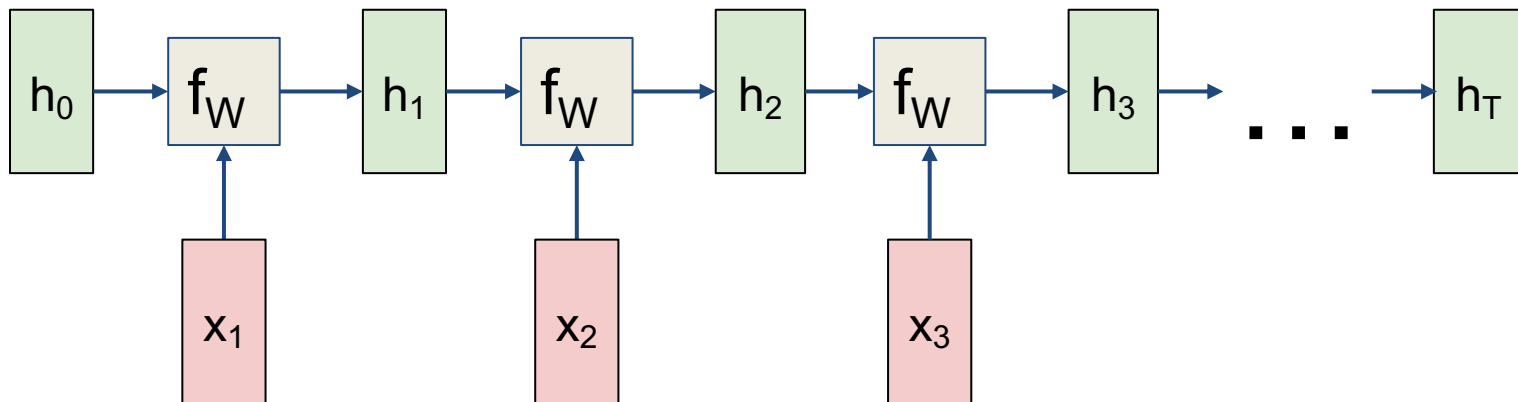
RNN: Computational Graph



RNN: Computational Graph

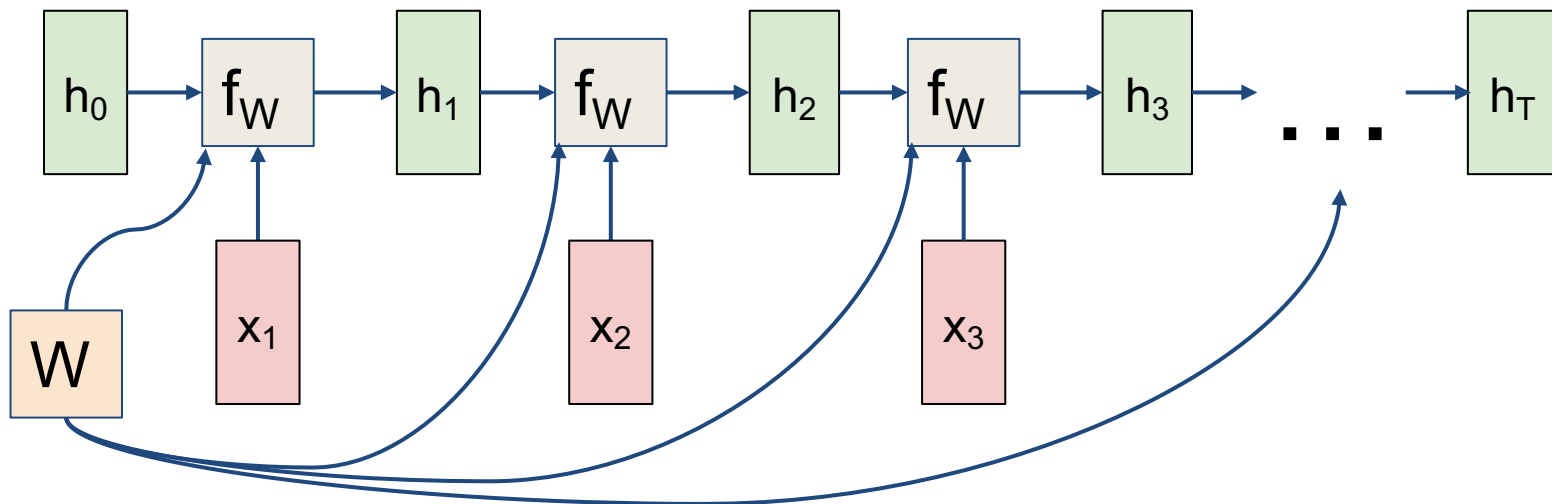


RNN: Computational Graph

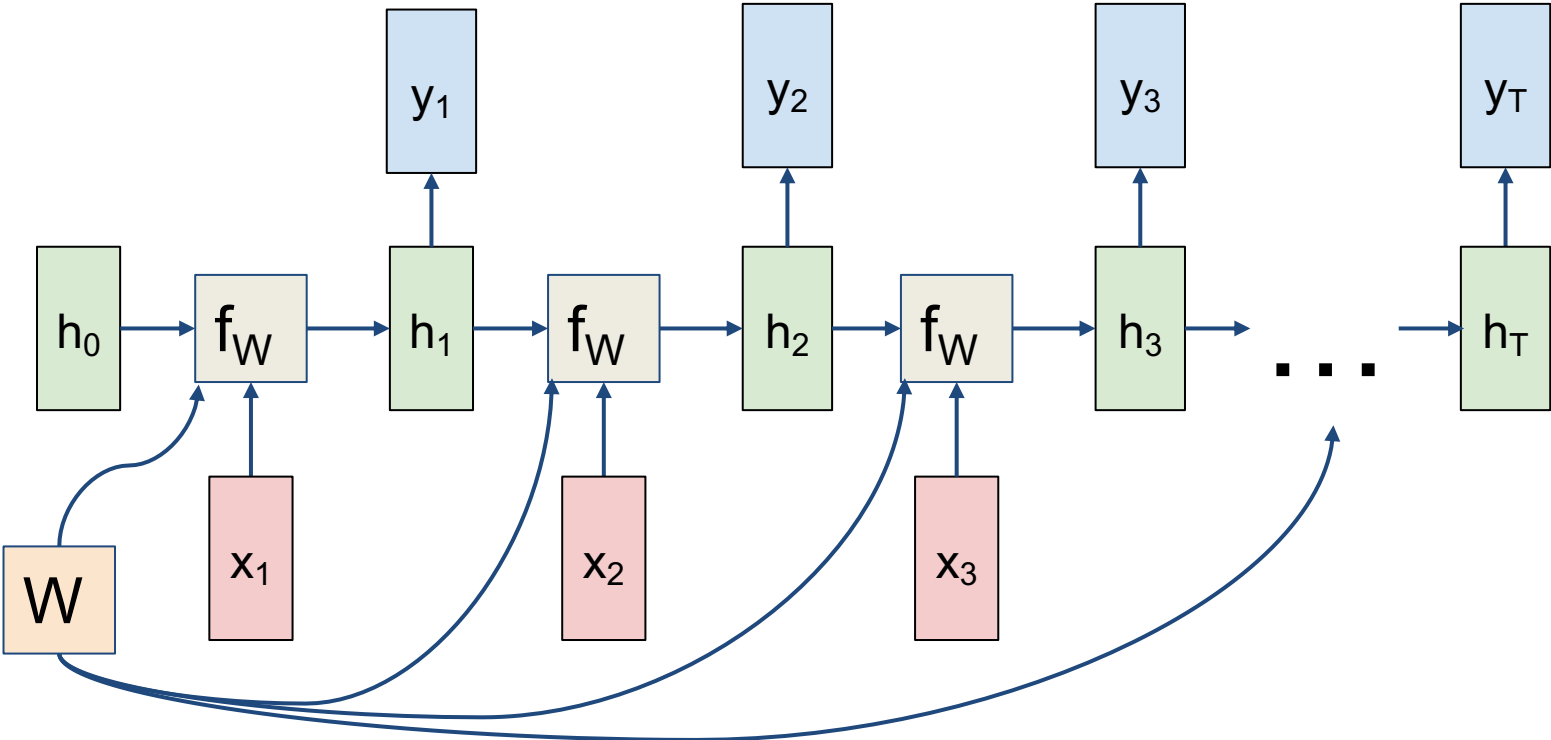


RNN: Computational Graph

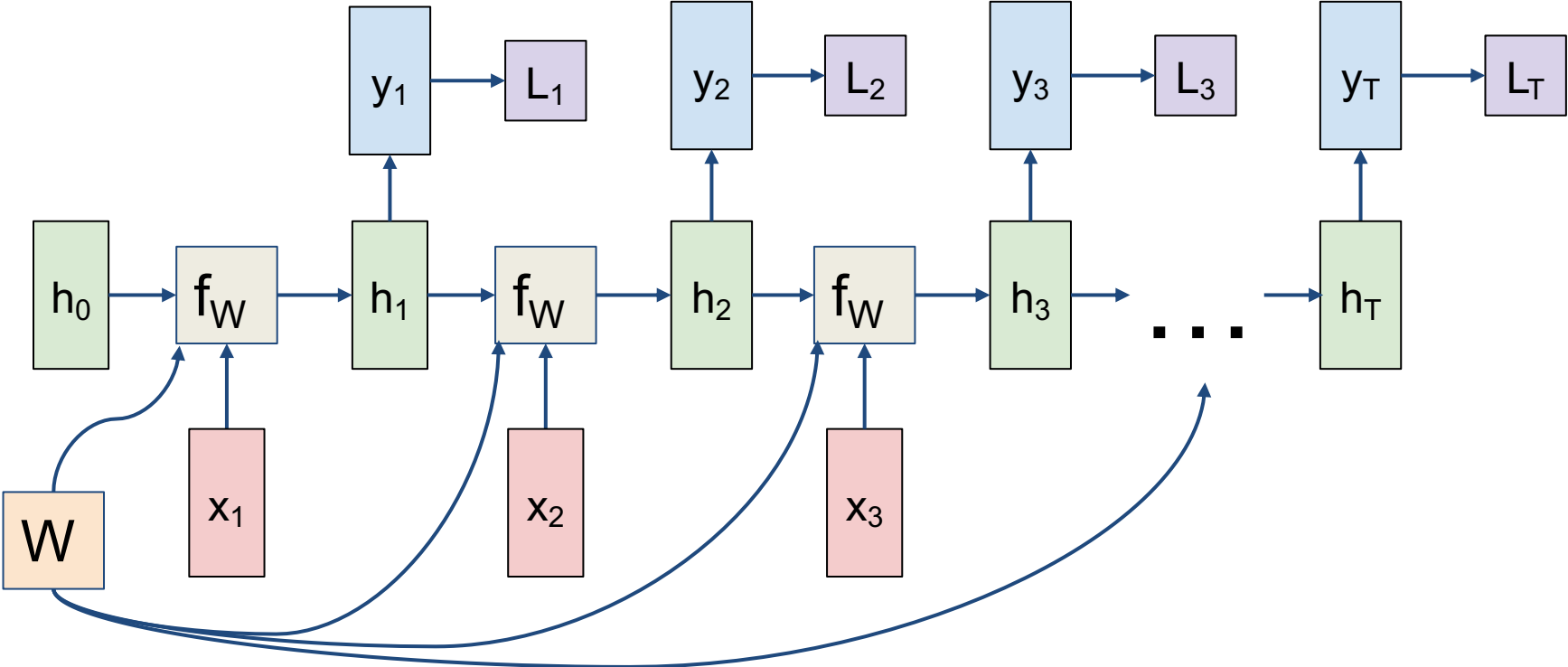
Re-use the same weight matrix at every time-step



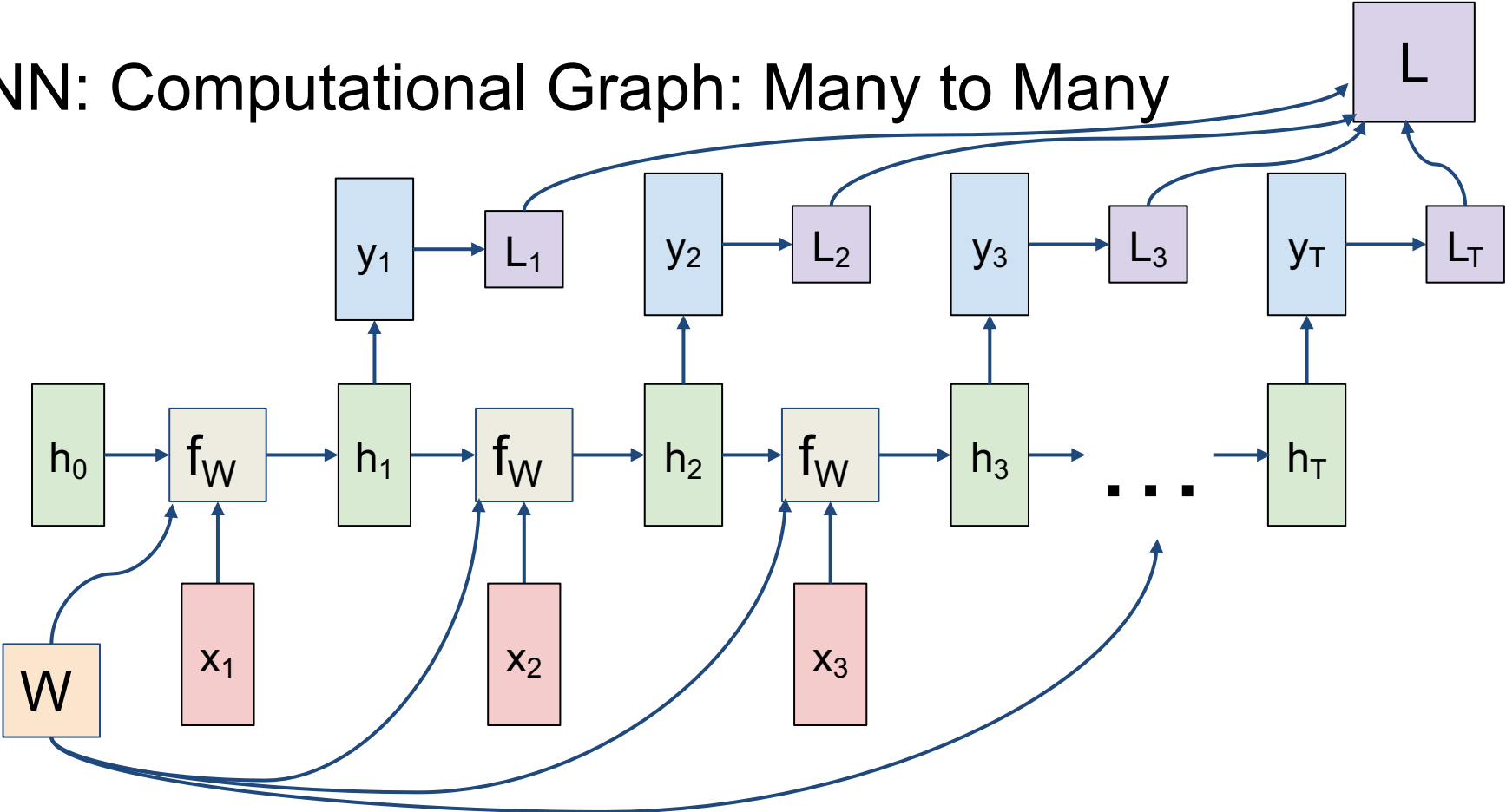
RNN: Computational Graph: Many to Many



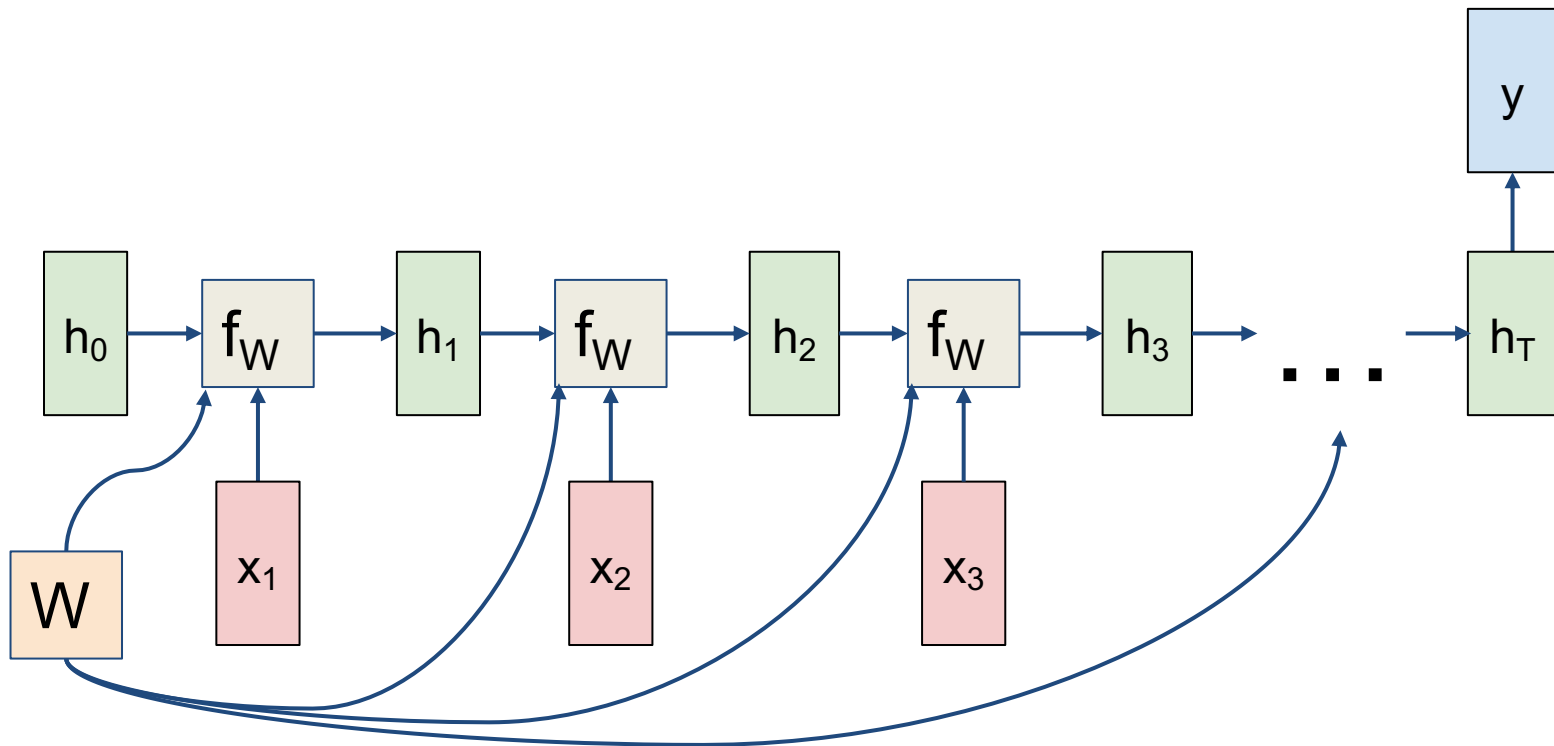
RNN: Computational Graph: Many to Many



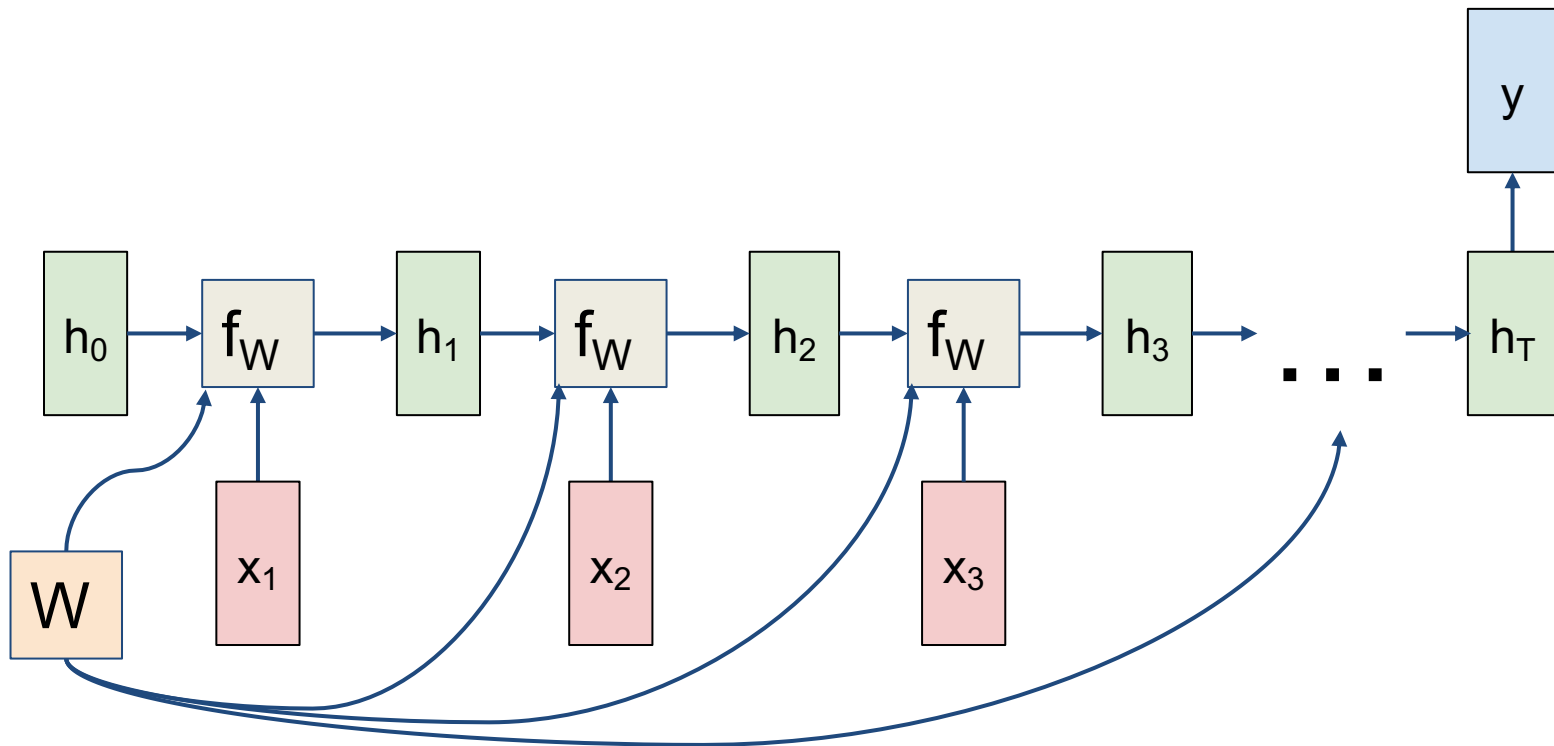
RNN: Computational Graph: Many to Many



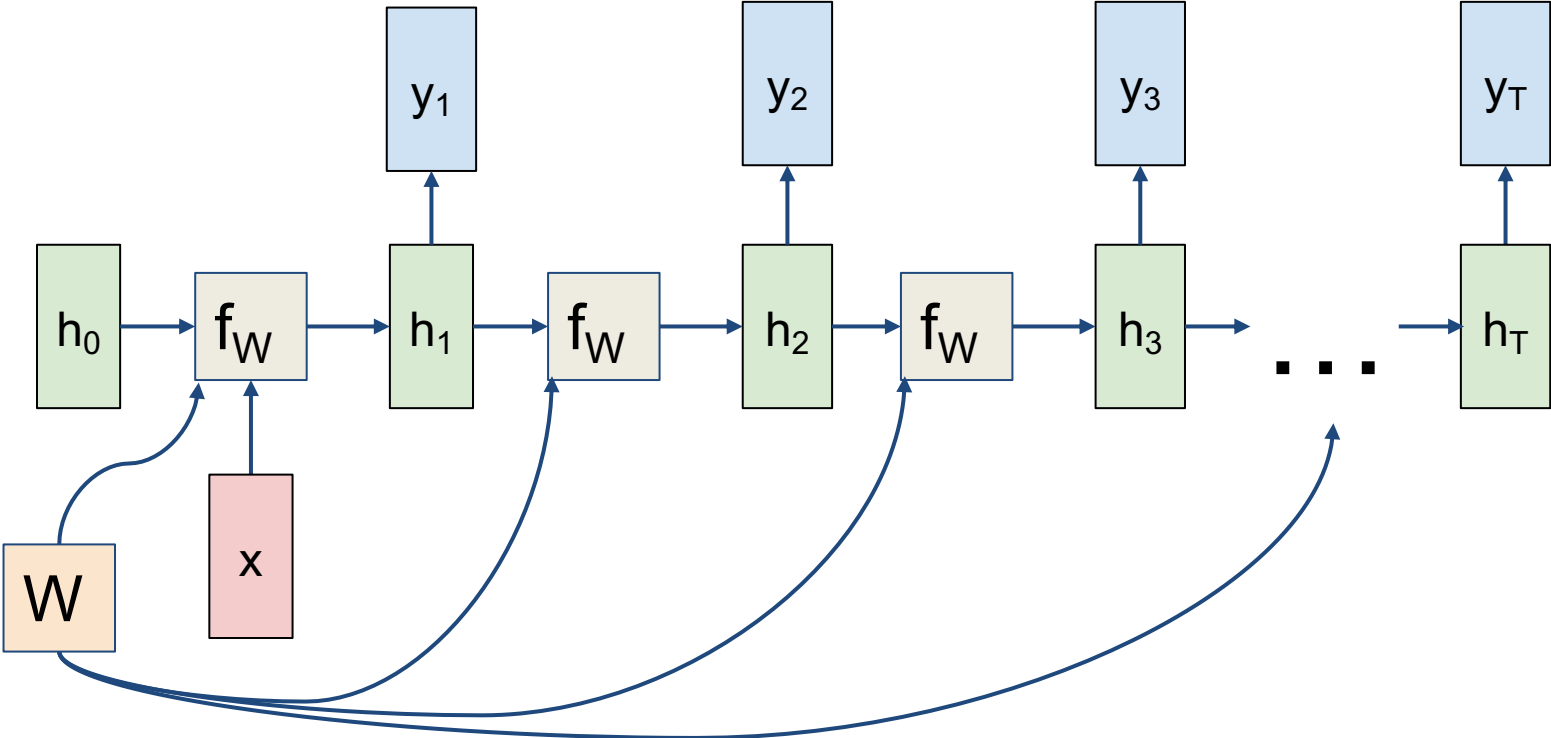
RNN: Computational Graph: Many to One



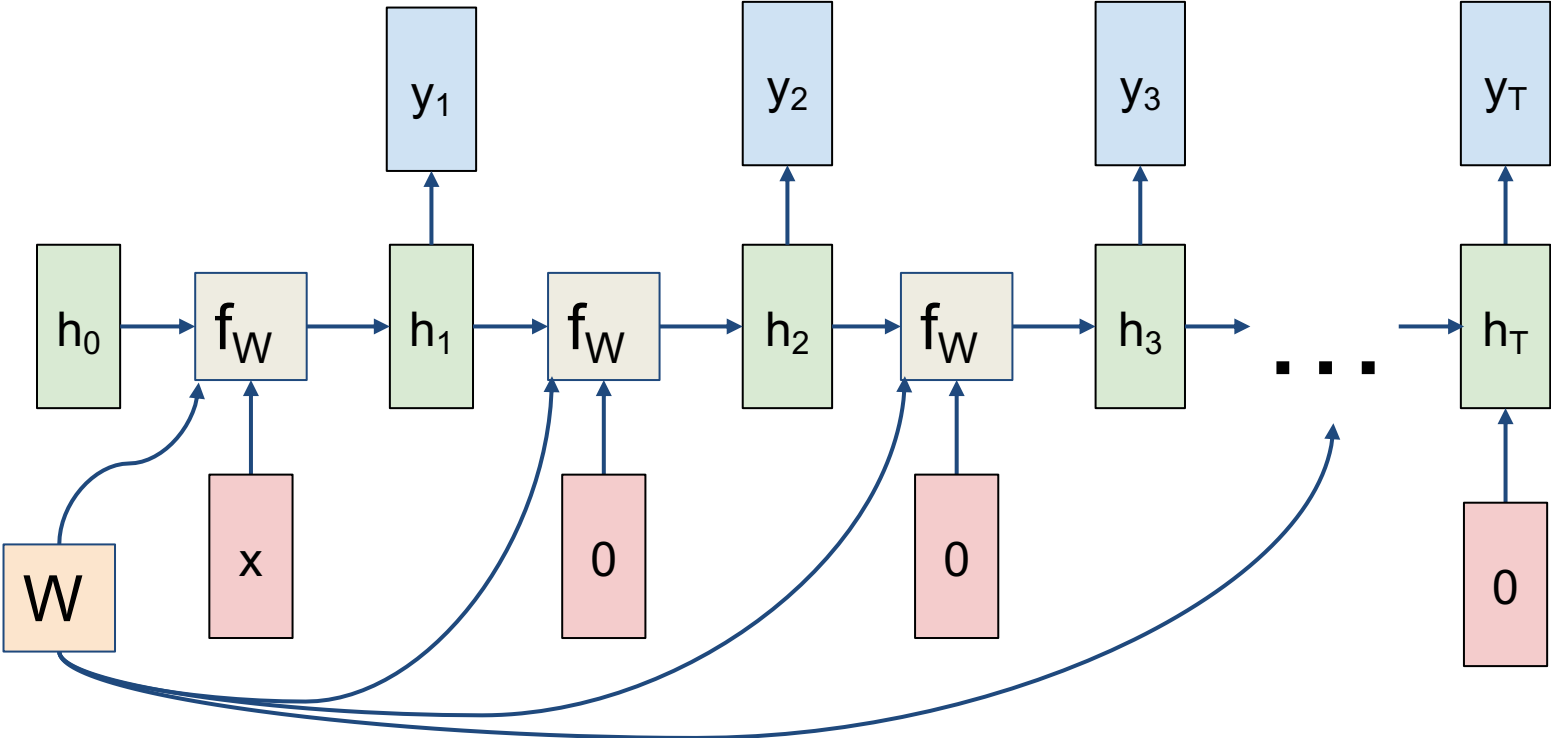
RNN: Computational Graph: Many to One



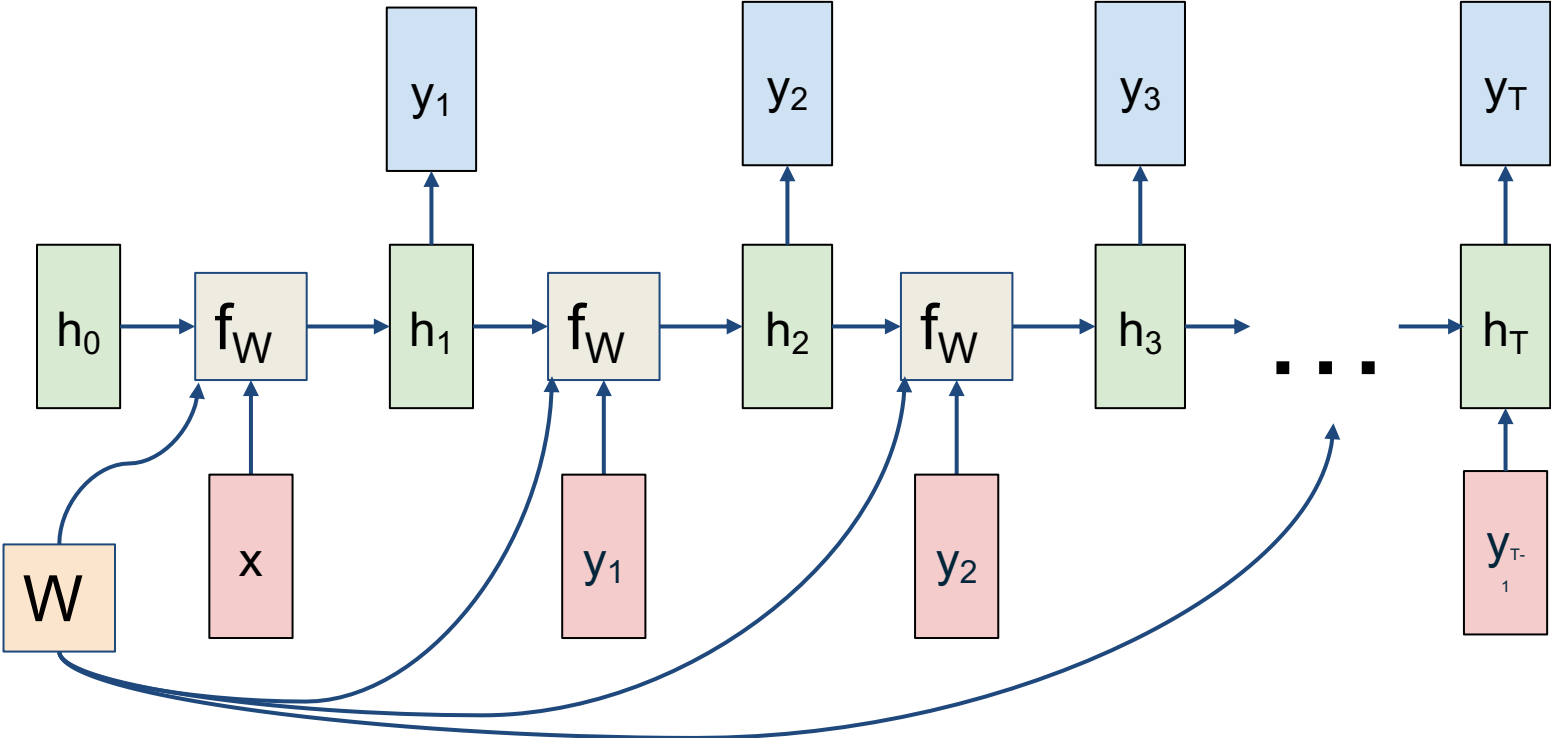
RNN: Computational Graph: One to Many



RNN: Computational Graph: One to Many

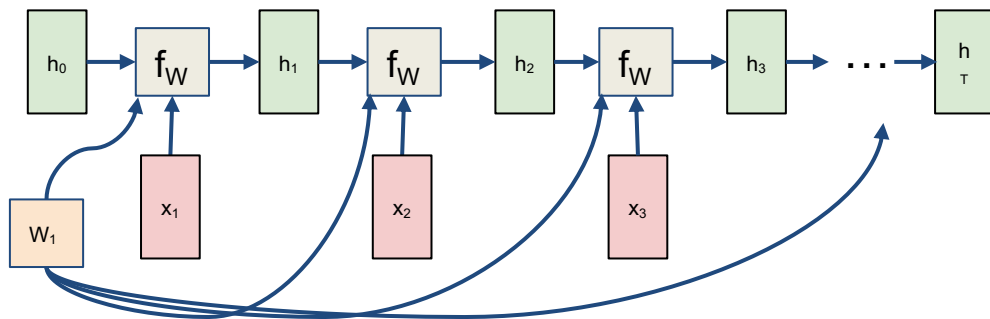


RNN: Computational Graph: One to Many



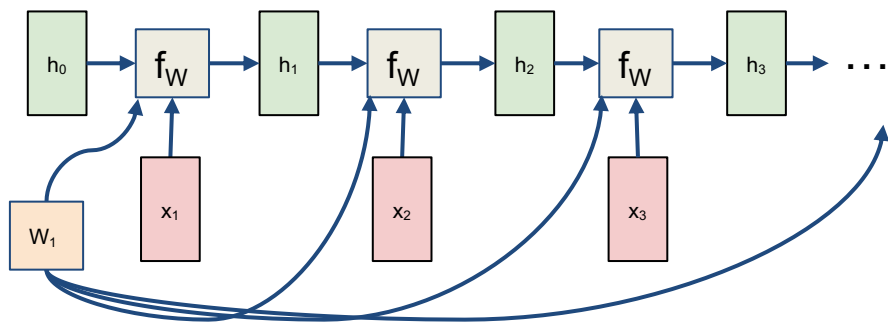
Sequence to Sequence: Many-to-one + one-to-many

Many to one: Encode input sequence in a single vector

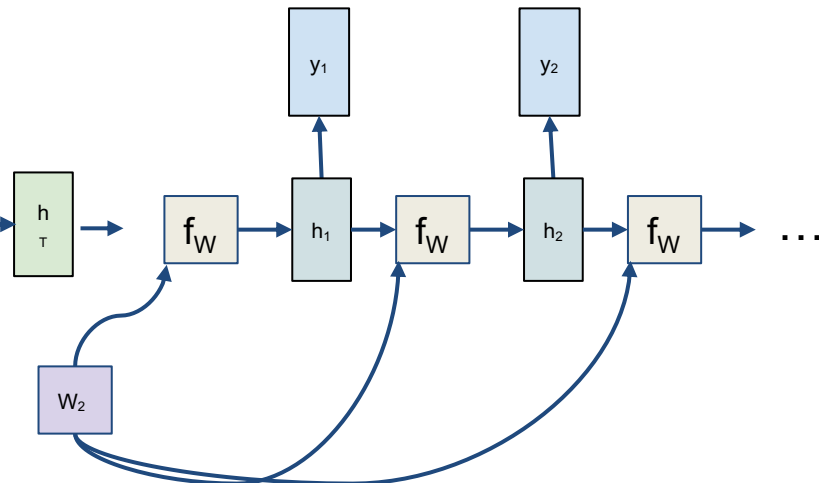


Sequence to Sequence: Many-to-one + one-to-many

Many to one: Encode input sequence in a single vector



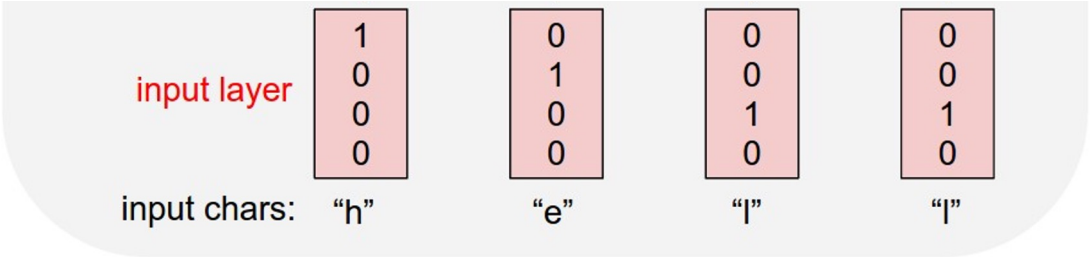
One to many: Produce output sequence from single input vector



Example: Character-level Language Model

Vocabulary:
[h,e,l,o]

Example training
sequence:
“hello”

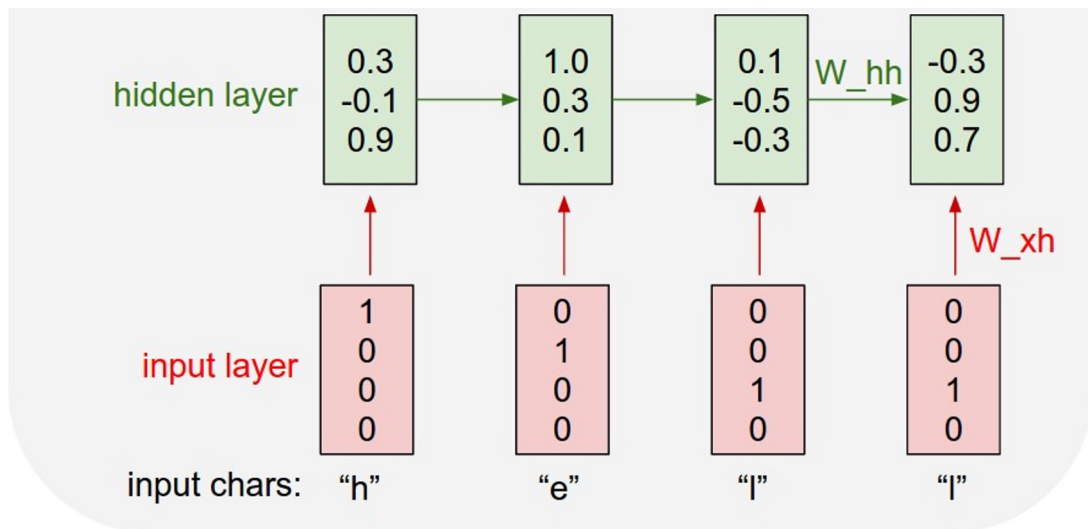


Example: Character-level Language Model

Vocabulary:
[h,e,l,o]

Example training
sequence:
“hello”

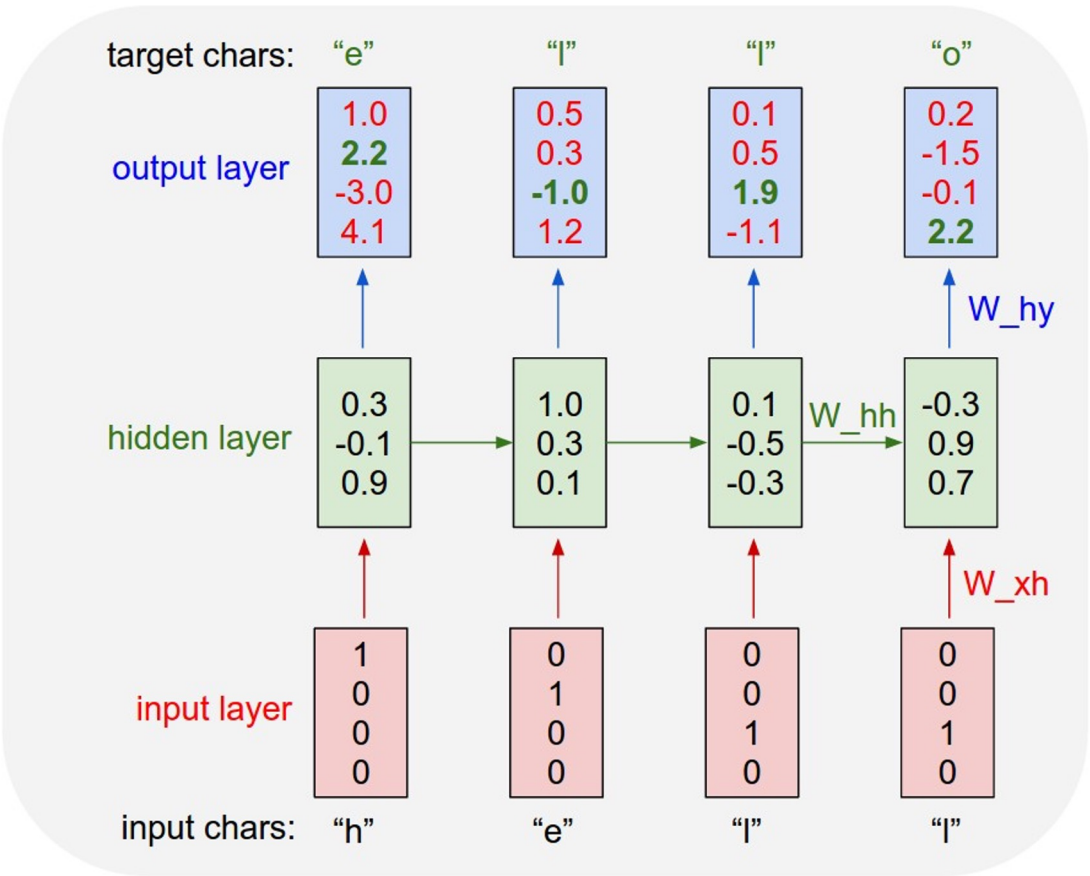
$$h_t = \tanh(W_{hh}h_{t-1} + W_{xh}x_t)$$



Example: Character-level Language Model

Vocabulary:
[h,e,l,o]

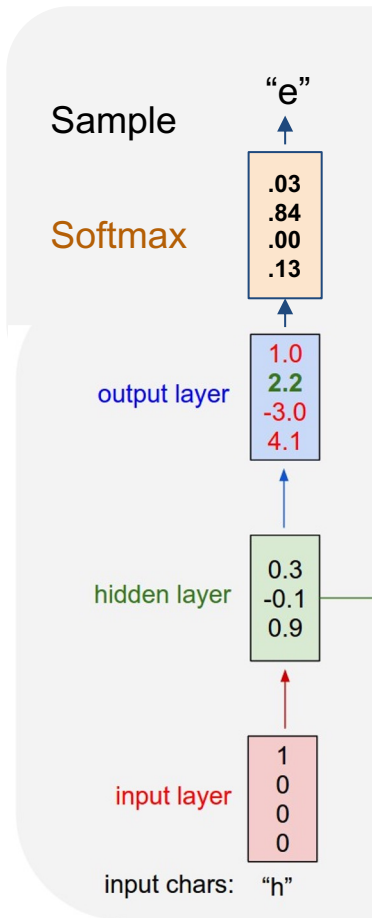
Example training
sequence:
“hello”



Example: Character-level Language Model Sampling

Vocabulary:
[h,e,l,o]

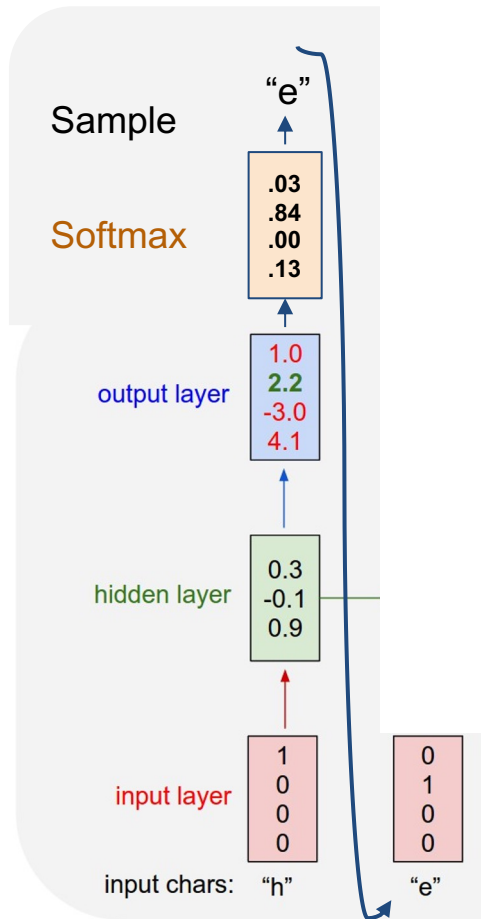
At test-time sample
characters one at a time,
feed back to model



Example: Character-level Language Model Sampling

Vocabulary:
[h,e,l,o]

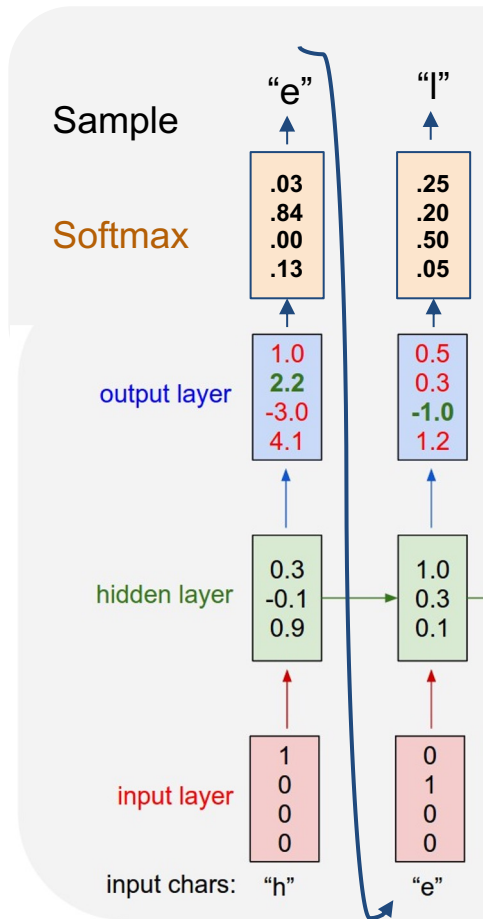
At test-time sample characters one at a time, feed back to model



Example: Character-level Language Model Sampling

Vocabulary:
[h,e,l,o]

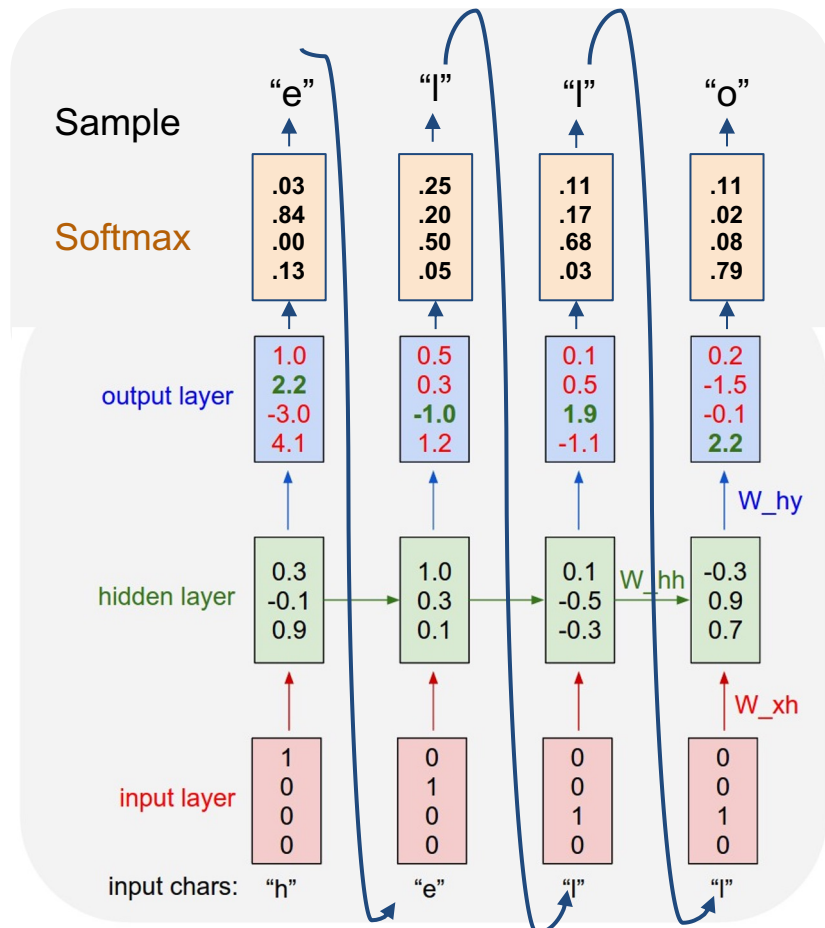
At test-time sample characters one at a time, feed back to model



Example: Character-level Language Model Sampling

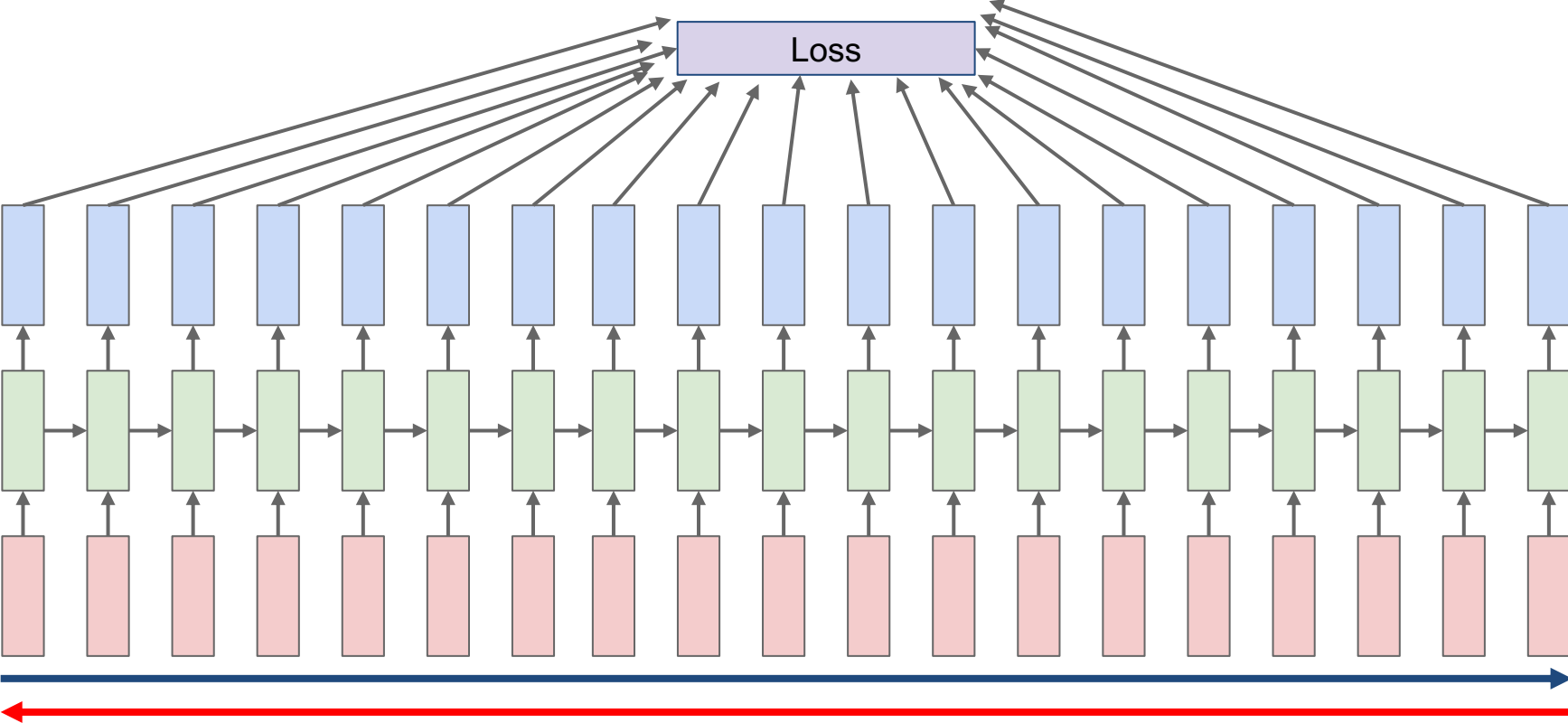
Vocabulary:
[h,e,l,o]

At test-time sample characters one at a time, feed back to model

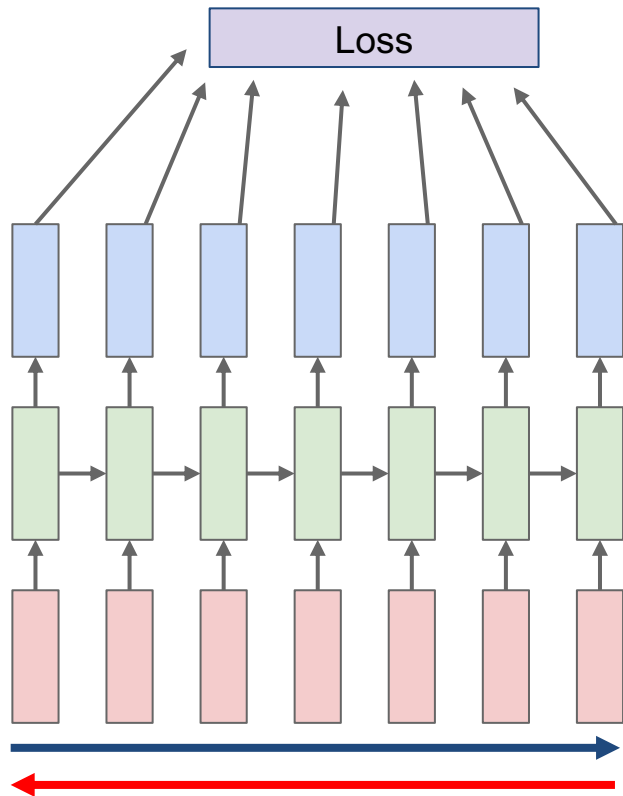


Backpropagation through time

Forward through entire sequence to compute loss, then backward through entire sequence to compute gradient

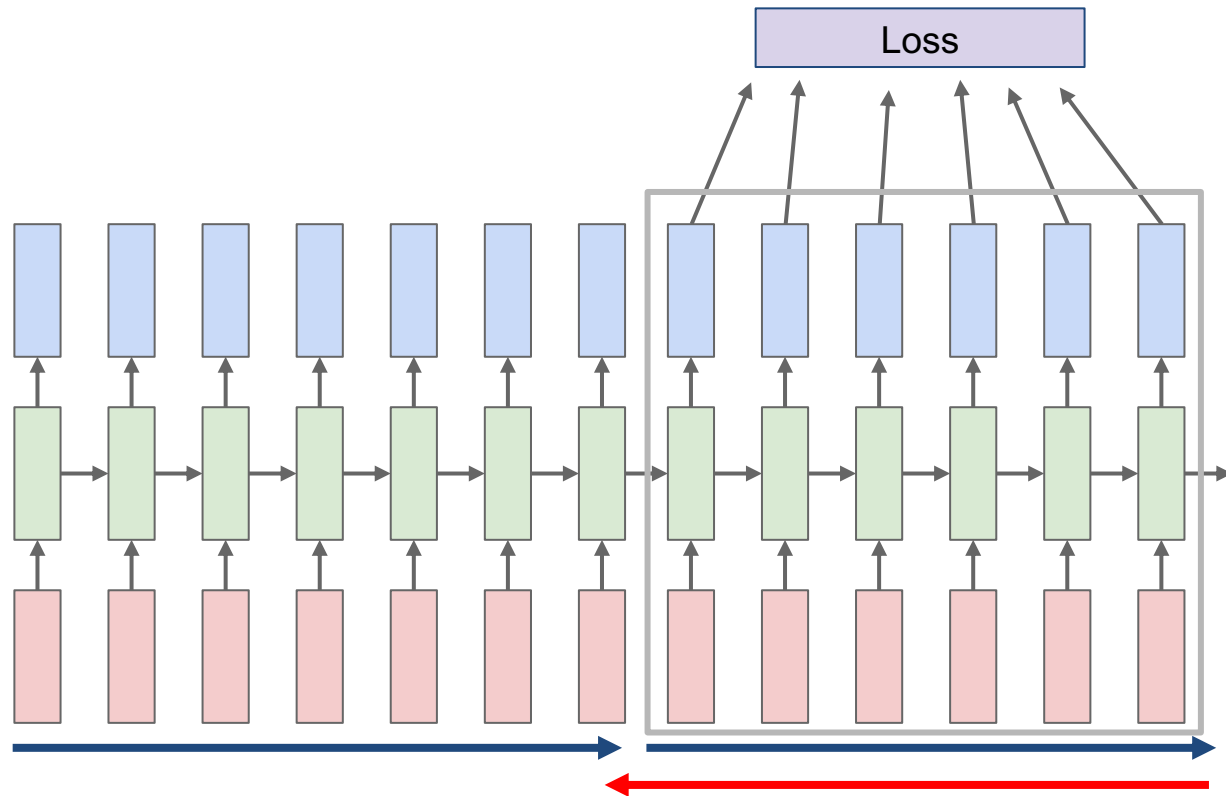


Truncated Backpropagation through time



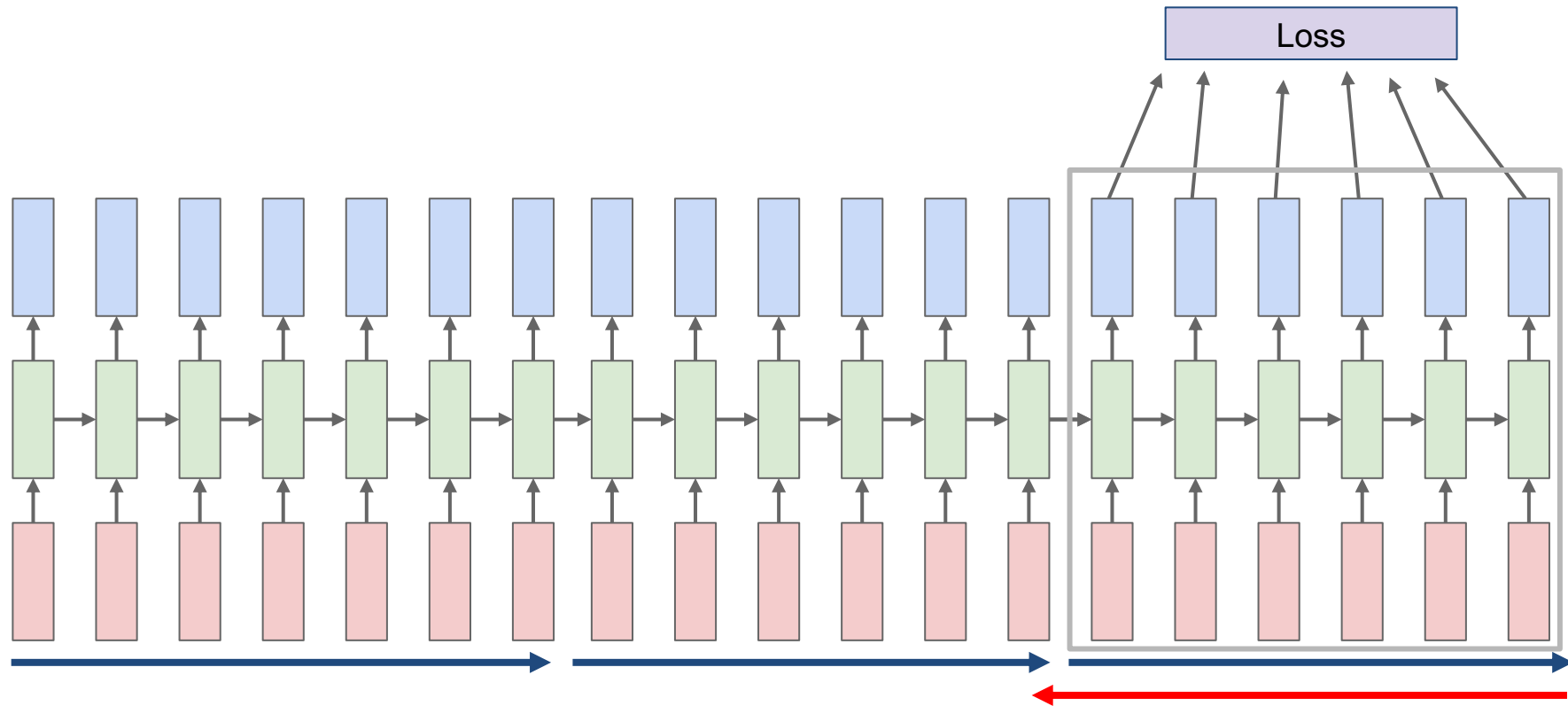
Run forward and backward through chunks (length k) of the sequence instead of whole sequence, do parameter update, clear gradient cache

Truncated Backpropagation through time

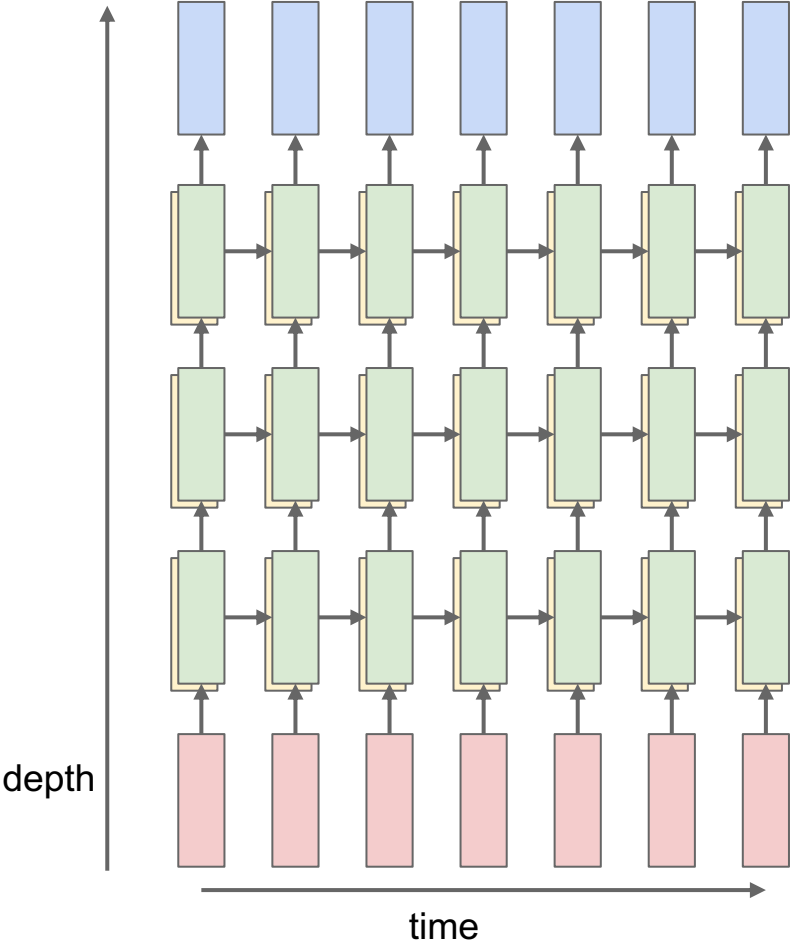


Carry hidden states forward in time for k steps, backprop, update parameter, clear gradient ...

Truncated Backpropagation through time



Multilayer RNNs

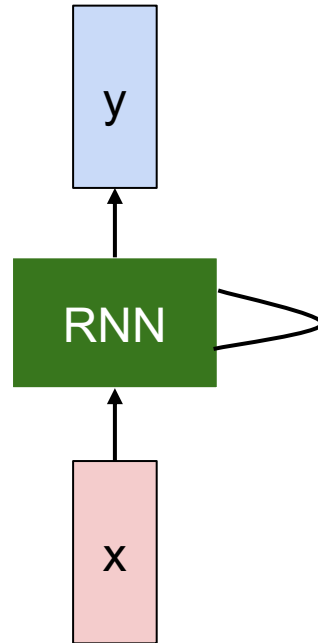


THE SONNETS

by William Shakespeare

From fairest creatures we desire increase,
That thereby beauty's rose might never die,
But as the ripper should by time decease,
His tender heir might bear his memory:
But thou, contracted to thine own bright eyes,
Feed'st thy light's flame with self-substantial fuel,
Making a famine where abundance lies,
Thyself thy foe, to thy sweet self too cruel:
Thou that art now the world's fresh ornament,
And only herald to the gaudy spring,
Within thine own bud buriest thy content,
And tender churl mak'st waste in niggarding:
 Pity the world, or else this glutton be,
 To eat the world's due, by the grave and thee.

When forty winters shall besiege thy brow,
And dig deep trenches in thy beauty's field,
Thy youth's proud livery so gazed on now,
Will be a tatter'd weed of small worth held:
Then being asked, where all thy beauty lies,
Where all the treasure of thy lusty days;
To say, within thine own deep sunken eyes,
Were an all-eating shame, and thriftless praise.
How much more praise deserv'd thy beauty's use,
If thou couldst answer 'This fair child of mine
Shall sum my count, and make my old excuse,'
Proving his beauty by succession thine!
 This were to be new made when thou art old,
 And see thy blood warm when thou feel'st it cold.



at first:

tyntd-iafhatawiaoigrdemot lytdws e ,tfti, astai f ogoh eoase rrranbyne 'nhtnee e
plia tklrgrd t o idoe ns,smtt h ne etie h,hregtrs nigrtike,aoaenns lng



train more

"Tmont thithey" fomesscerliund
Keushey. Thom here
sheulke, anmerenith ol sivh I lalterthend Bleipile shuwv fil on aseterlome
coaniogennc Phe lism thond hon at. MeiDimorotion in ther thize."



train more

Aftair fall unsuch that the hall for Prince Velzonski's that me of
her hearly, and behs to so arwage fiving were to it beloge, pavu say falling misfort
how, and Gogition is so overelical and offer.



train more

"Why do what that day," replied Natasha, and wishing to himself the fact the
princess, Princess Mary was easier, fed in had oftened him.
Pierre aking his soul came to the packs and drove up his father-in-law women.

PANDARUS:

Alas, I think he shall be come approached and the day
When little strain would be attain'd into being never fed,
And who is but a chain and subjects of his death,
I should not sleep.

Second Senator:

They are away this miseries, produced upon my soul,
Breaking and strongly should be buried, when I perish
The earth and thoughts of many states.

DUKE VINCENTIO:

Well, your wit is in the care of side and that.

Second Lord:

They would be ruled after this chamber, and
my fair nues begun out of the fact, to be conveyed,
Whose noble souls I'll have the heart of the wars.

Clown:

Come, sir, I will make did behold your worship.

VIOLA:

I'll drink it.

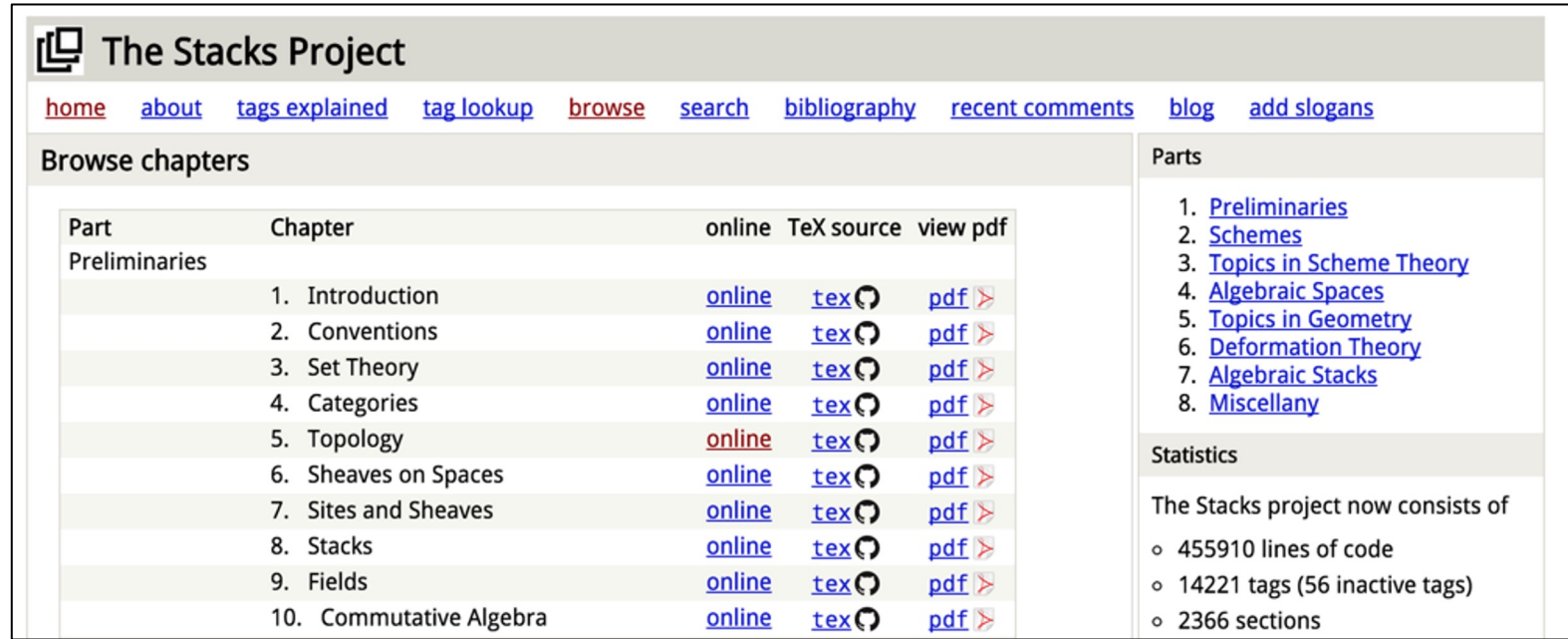
VIOLA:

Why, Salisbury must find his flesh and thought
That which I am not apt, not a man and in fire,
To show the reining of the raven and the wars
To grace my hand reproach within, and not a fair are hand,
That Caesar and my goodly father's world;
When I was heaven of presence and our fleets,
We spare with hours, but cut thy council I am great,
Murdered and by thy master's ready there
My power to give thee but so much as hell:
Some service in the noble bondman here,
Would show him to her wine.

KING LEAR:

O, if you were a feeble sight, the courtesy of your law,
Your sight and several breath, will wear the gods
With his heads, and my hands are wonder'd at the deeds,
So drop upon your lordship's head, and your opinion
Shall be against your honour.

The Stacks Project: open source algebraic geometry textbook



The Stacks Project

[home](#) [about](#) [tags explained](#) [tag lookup](#) [browse](#) [search](#) [bibliography](#) [recent comments](#) [blog](#) [add slogans](#)

Browse chapters

Part	Chapter	online	TeX source	view pdf
Preliminaries				
	1. Introduction	online	tex	pdf
	2. Conventions	online	tex	pdf
	3. Set Theory	online	tex	pdf
	4. Categories	online	tex	pdf
	5. Topology	online	tex	pdf
	6. Sheaves on Spaces	online	tex	pdf
	7. Sites and Sheaves	online	tex	pdf
	8. Stacks	online	tex	pdf
	9. Fields	online	tex	pdf
	10. Commutative Algebra	online	tex	pdf

Parts

- [Preliminaries](#)
- [Schemes](#)
- [Topics in Scheme Theory](#)
- [Algebraic Spaces](#)
- [Topics in Geometry](#)
- [Deformation Theory](#)
- [Algebraic Stacks](#)
- [Miscellany](#)

Statistics

The Stacks project now consists of

- 455910 lines of code
- 14221 tags (56 inactive tags)
- 2366 sections

Latex source



<http://stacks.math.columbia.edu/>

The stacks project is licensed under the [GNU Free Documentation License](#)

For $\bigoplus_{n=1, \dots, m}$ where $\mathcal{L}_{m_*} = 0$, hence we can find a closed subset \mathcal{H} in \mathcal{H} and any sets \mathcal{F} on X , U is a closed immersion of S , then $U \rightarrow T$ is a separated algebraic space.

Proof. Proof of (1). It also start we get

$$S = \text{Spec}(R) = U \times_X U \times_X U$$

and the comparicoly in the fibre product covering we have to prove the lemma generated by $\coprod Z \times_U U \rightarrow V$. Consider the maps M along the set of points Sch_{fppf} and $U \rightarrow U$ is the fibre category of S in U in Section, ?? and the fact that any U affine, see Morphisms, Lemma ?? . Hence we obtain a scheme S and any open subset $W \subset U$ in $Sh(G)$ such that $\text{Spec}(R') \rightarrow S$ is smooth or an

$$U = \bigcup U_i \times_{S_i} U_i$$

which has a nonzero morphism we may assume that f_i is of finite presentation over S . We claim that $\mathcal{O}_{X,x}$ is a scheme where $x, x', s'' \in S'$ such that $\mathcal{O}_{X,x'} \rightarrow \mathcal{O}'_{X',x'}$ is separated. By Algebra, Lemma ?? we can define a map of complexes $GL_{S'}(x'/S'')$ and we win. \square

To prove study we see that $\mathcal{F}|_U$ is a covering of \mathcal{X}' , and \mathcal{T}_i is an object of $\mathcal{F}_{X/S}$ for $i > 0$ and \mathcal{F}_p exists and let \mathcal{F}_i be a presheaf of \mathcal{O}_X -modules on \mathcal{C} as a \mathcal{F} -module. In particular $\mathcal{F} = U/\mathcal{F}$ we have to show that

$$\widetilde{M}^\bullet = \mathcal{I}^\bullet \otimes_{\text{Spec}(k)} \mathcal{O}_{S,s} - i_X^{-1} \mathcal{F}$$

is a unique morphism of algebraic stacks. Note that

$$\text{Arrows} = (Sch/S)_{fppf}^{opp}, (Sch/S)_{fppf}$$

and

$$V = \Gamma(S, \mathcal{O}) \mapsto (U, \text{Spec}(A))$$

is an open subset of X . Thus U is affine. This is a continuous map of X is the inverse, the groupoid scheme S .

Proof. See discussion of sheaves of sets. \square

The result for prove any open covering follows from the less of Example ?? . It may replace S by $X_{spaces, \acute{e}tale}$ which gives an open subspace of X and T equal to S_{Zar} , see Descent, Lemma ?? . Namely, by Lemma ?? we see that R is geometrically regular over S .

Lemma 0.1. Assume (3) and (3) by the construction in the description.

Suppose $X = \lim |X|$ (by the formal open covering X and a single map $\underline{\text{Proj}}_X(\mathcal{A}) = \text{Spec}(B)$ over U compatible with the complex

$$\text{Set}(\mathcal{A}) = \Gamma(X, \mathcal{O}_{X, \mathcal{O}_X}).$$

When in this case of to show that $\mathcal{Q} \rightarrow \mathcal{C}_{Z/X}$ is stable under the following result in the second conditions of (1), and (3). This finishes the proof. By Definition ?? (without element is when the closed subschemes are catenary. If T is surjective we may assume that T is connected with residue fields of S . Moreover there exists a closed subspace $Z \subset X$ of X where U in X' is proper (some defining as a closed subset of the uniqueness it suffices to check the fact that the following theorem

(1) f is locally of finite type. Since $S = \text{Spec}(R)$ and $Y = \text{Spec}(R)$.

Proof. This is form all sheaves of sheaves on X . But given a scheme U and a surjective étale morphism $U \rightarrow X$. Let $U \cap U = \coprod_{i=1, \dots, n} U_i$ be the scheme X over S at the schemes $X_i \rightarrow X$ and $U = \lim_i X_i$. \square

The following lemma surjective restrocomposes of this implies that $\mathcal{F}_{x_0} = \mathcal{F}_{x_0} = \mathcal{F}_{X, \dots, 0}$.

Lemma 0.2. Let X be a locally Noetherian scheme over S , $E = \mathcal{F}_{X/S}$. Set $\mathcal{I} = \mathcal{J}_1 \subset \mathcal{I}'_n$. Since $\mathcal{I}^n \subset \mathcal{I}^n$ are nonzero over $i_0 \leq \mathfrak{p}$ is a subset of $\mathcal{J}_{n,0} \circ \mathcal{A}_2$ works.

Lemma 0.3. In Situation ?? . Hence we may assume $\mathfrak{q}' = 0$.

Proof. We will use the property we see that \mathfrak{p} is the next functor (??). On the other hand, by Lemma ?? we see that

$$D(\mathcal{O}_{X'}) = \mathcal{O}_X(D)$$

where K is an F -algebra where δ_{n+1} is a scheme over S . \square

Proof. Omitted. □

Lemma 0.1. Let \mathcal{C} be a set of the construction.

Let \mathcal{C} be a gerber covering. Let \mathcal{F} be a quasi-coherent sheaves of \mathcal{O} -modules. We have to show that

$$\mathcal{O}_{\mathcal{O}_X} = \mathcal{O}_X(\mathcal{L})$$

Proof. This is an algebraic space with the composition of sheaves \mathcal{F} on $X_{\acute{e}tale}$ we have

$$\mathcal{O}_X(\mathcal{F}) = \{\text{morph}_1 \times_{\mathcal{O}_X} (\mathcal{G}, \mathcal{F})\}$$

where \mathcal{G} defines an isomorphism $\mathcal{F} \rightarrow \mathcal{F}$ of \mathcal{O} -modules. □

Lemma 0.2. This is an integer \mathcal{Z} is injective.

Proof. See Spaces, Lemma ?? □

Lemma 0.3. Let S be a scheme. Let X be a scheme and X is an affine open covering. Let $U \subset X$ be a canonical and locally of finite type. Let X be a scheme. Let X be a scheme which is equal to the formal complex.

The following to the construction of the lemma follows.

Let X be a scheme. Let X be a scheme covering. Let

$$b : X \rightarrow Y' \rightarrow Y \rightarrow Y \rightarrow Y' \times_X Y \rightarrow X.$$

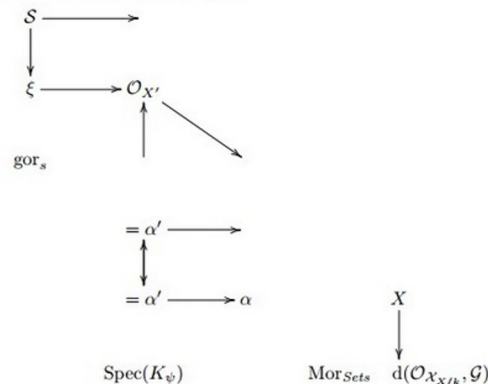
be a morphism of algebraic spaces over S and Y .

Proof. Let X be a nonzero scheme of X . Let X be an algebraic space. Let \mathcal{F} be a quasi-coherent sheaf of \mathcal{O}_X -modules. The following are equivalent

- (1) \mathcal{F} is an algebraic space over S .
- (2) If X is an affine open covering.

Consider a common structure on X and X the functor $\mathcal{O}_X(U)$ which is locally of finite type. □

This since $\mathcal{F} \in \mathcal{F}$ and $x \in \mathcal{G}$ the diagram



is a limit. Then \mathcal{G} is a finite type and assume S is a flat and \mathcal{F} and \mathcal{G} is a finite type f_* . This is of finite type diagrams, and

- the composition of \mathcal{G} is a regular sequence,
- $\mathcal{O}_{X'}$ is a sheaf of rings.

□

Proof. We have see that $X = \text{Spec}(R)$ and \mathcal{F} is a finite type representable by algebraic space. The property \mathcal{F} is a finite morphism of algebraic stacks. Then the cohomology of X is an open neighbourhood of U . □

Proof. This is clear that \mathcal{G} is a finite presentation, see Lemmas ??.

A reduced above we conclude that U is an open covering of \mathcal{C} . The functor \mathcal{F} is a "field"

$$\mathcal{O}_{X,x} \rightarrow \mathcal{F}_{\bar{x}}^{-1}(\mathcal{O}_{X_{\acute{e}tale}}) \rightarrow \mathcal{O}_{X_t}^{-1} \mathcal{O}_{X_\lambda}(\mathcal{O}_{X_\eta}^{\bar{v}})$$

is an isomorphism of covering of \mathcal{O}_{X_t} . If \mathcal{F} is the unique element of \mathcal{F} such that X is an isomorphism.

The property \mathcal{F} is a disjoint union of Proposition ?? and we can filtered set of presentations of a scheme \mathcal{O}_X -algebra with \mathcal{F} are opens of finite type over S .

If \mathcal{F} is a scheme theoretic image points. □

If \mathcal{F} is a finite direct sum \mathcal{O}_{X_λ} is a closed immersion, see Lemma ?? . This is a sequence of \mathcal{F} is a similar morphism.



This repository Search

Explore Gist Blog Help



karpthy



torvalds / linux

Watch -

3,711

★ Star

23,054

Fork

9,141

Linux kernel source tree

520,037 commits

1 branch

420 releases

5,039 contributors



branch: master -

linux / +



Merge branch 'drm-fixes' of git://people.freedesktop.org/~airlied/linux



torvalds authored 9 hours ago

latest commit 4b1706927d

Documentation

Merge git://git.kernel.org/pub/scm/linux/kernel/git/hab/target-pending

6 days ago

arch

Merge branch 'x86-urgent-for-linus' of git://git.kernel.org/pub/scm/...

a day ago

block

block: discard bdi_unregister() in favour of bdi_destroy()

9 days ago

crypto

Merge git://git.kernel.org/pub/scm/linux/kernel/git/herbert/crypto-2.6

10 days ago

drivers

Merge branch 'drm-fixes' of git://people.freedesktop.org/~airlied/linux

9 hours ago

firmware

firmware/ihex2fw.c: restore missing default in switch statement

2 months ago

fs

vfs: read file_handle only once in handle_to_path

4 days ago

include

Merge branch 'perf-urgent-for-linus' of git://git.kernel.org/pub/scm/...

a day ago

init

init: fix regression by supporting devices with major:minor:offset fo...

a month ago

ipc

Merge branch 'for-linus' of git://git.kernel.org/pub/scm/linux/kernel...

a month ago



Code



Pull requests

74



Pulse



Graphs

HTTPS clone URL

https://github.c



You can clone with [HTTPS](#), [SSH](#), or [Subversion](#).

Clone in Desktop

Download ZIP

```

static void do_command(struct seq_file *m, void *v)
{
    int column = 32 << (cmd[2] & 0x80);
    if (state)
        cmd = (int)(int_state ^ (in_8(&ch->ch_flags) & Cmd) ? 2 : 1);
    else
        seq = 1;
    for (i = 0; i < 16; i++) {
        if (k & (1 << i))
            pipe = (in_use & UMXTHREAD_UNCCA) +
                ((count & 0x00000000fffffff8) & 0x0000000f) << 8;
        if (count == 0)
            sub(pid, ppc_md.kexec_handle, 0x20000000);
        pipe_set_bytes(i, 0);
    }
    /* Free our user pages pointer to place camera if all dash */
    subsystem_info = &of_changes[PAGE_SIZE];
    rek_controls(offset, idx, &soffset);
    /* Now we want to deliberately put it to device */
    control_check_polarity(&context, val, 0);
    for (i = 0; i < COUNTER; i++)
        seq_puts(s, "policy ");
}

```

Generated C code


```
/*
 * Copyright (c) 2006-2010, Intel Mobile Communications. All rights reserved.
 *
 * This program is free software; you can redistribute it and/or modify it
 * under the terms of the GNU General Public License version 2 as published by
 * the Free Software Foundation.
 *
 * This program is distributed in the hope that it will be useful,
 * but WITHOUT ANY WARRANTY; without even the implied warranty of
 * MERCHANTABILITY or FITNESS FOR A PARTICULAR PURPOSE. See the
 *
 * GNU General Public License for more details.
 *
 * You should have received a copy of the GNU General Public License
 * along with this program; if not, write to the Free Software Foundation,
 * Inc., 675 Mass Ave, Cambridge, MA 02139, USA.
 */
```

```
#include <linux/kexec.h>
#include <linux/errno.h>
#include <linux/io.h>
#include <linux/platform_device.h>
#include <linux/multi.h>
#include <linux/ckevent.h>
```

```
#include <asm/io.h>
#include <asm/prom.h>
#include <asm/e820.h>
#include <asm/system_info.h>
#include <asm/setew.h>
#include <asm/pgproto.h>
```

```

#include <asm/io.h>
#include <asm/prom.h>
#include <asm/e820.h>
#include <asm/system_info.h>
#include <asm/setew.h>
#include <asm/pgproto.h>

#define REG_PG    vesa_slot_addr_pack
#define PFM_NOCOMP  AFSR(0, load)
#define STACK_DDR(type)      (func)

#define SWAP_ALLOCATE(nr)      (e)
#define emulate_sigs()  arch_get_unaligned_child()
#define access_rw(TST)  asm volatile("movd %!esp, %0, %3" : : "r" (0)); \
    if (__type & DO_READ)

static void stat_PC_SEC __read_mostly offsetof(struct seq_argsqueue, \
    pc>[1]);

static void
os_prefix(unsigned long sys)
{
#ifdef CONFIG_PREEMPT
    PUT_PARAM_RAID(2, sel) = get_state_state();
    set_pid_sum((unsigned long)state, current_state_str(),
        (unsigned long)-1->lr_full; low;
}

```

OpenAI GPT-2 generated text

[source](#)

Input: In a shocking finding, scientist discovered a herd of unicorns living in a remote, previously unexplored valley, in the Andes Mountains. Even more surprising to the researchers was the fact that the unicorns spoke perfect English.

Output: The scientist named the population, after their distinctive horn, Ovid's Unicorn. These four-horned, silver-white unicorns were previously unknown to science.

Now, after almost two centuries, the mystery of what sparked this odd phenomenon is finally solved.

Dr. Jorge Pérez, an evolutionary biologist from the University of La Paz, and several companions, were exploring the Andes Mountains when they found a small valley, with no other animals or humans. Pérez noticed that the valley had what appeared to be a natural fountain, surrounded by two peaks of rock and silver snow.

Image Captioning

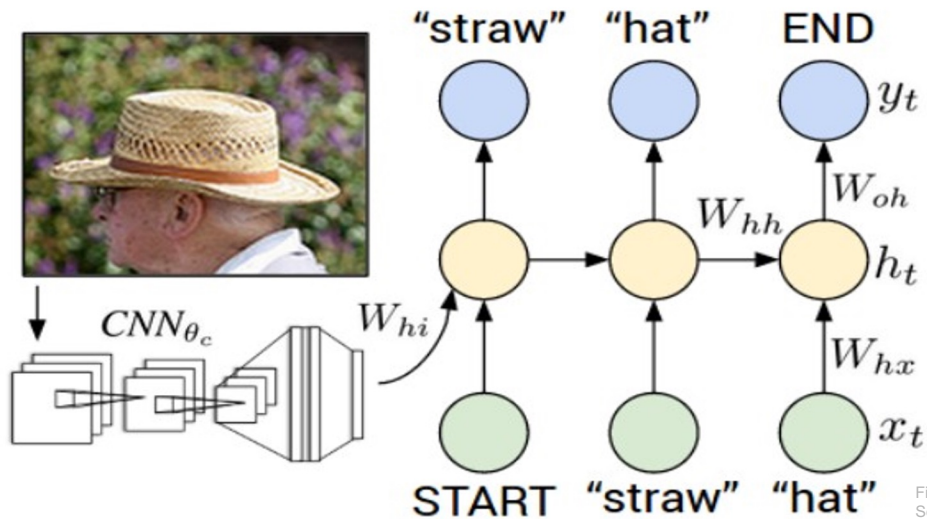


Figure from Karpathy et al, "Deep Visual-Semantic Alignments for Generating Image Descriptions", CVPR 2015; figure copyright IEEE, 2015.

Reproduced for educational purposes.

Explain Images with Multimodal Recurrent Neural Networks, Mao et al.

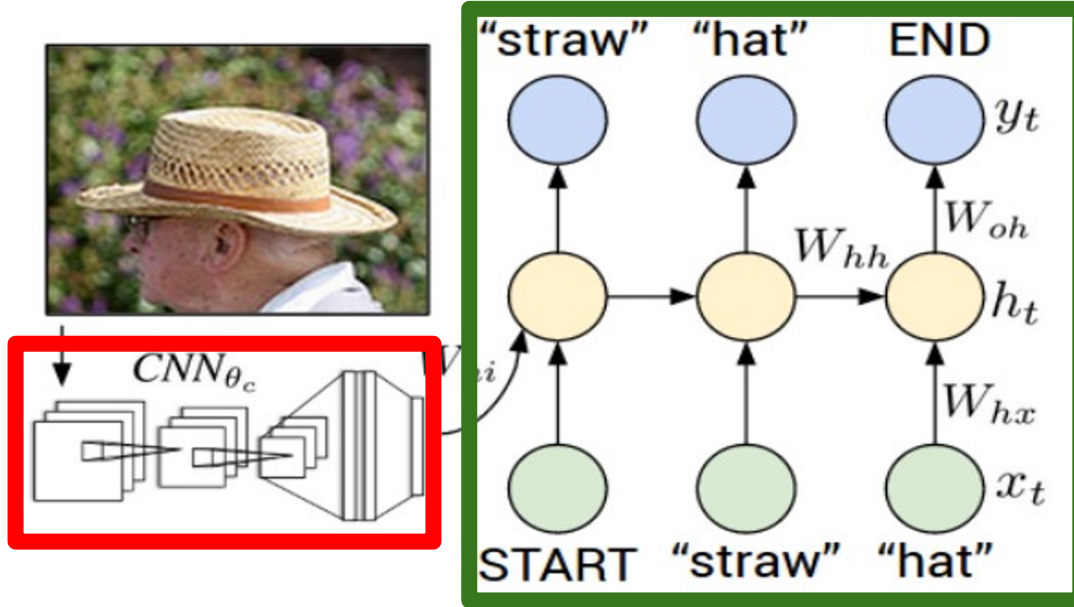
Deep Visual-Semantic Alignments for Generating Image Descriptions, Karpathy and Fei-Fei

Show and Tell: A Neural Image Caption Generator, Vinyals et al.

Long-term Recurrent Convolutional Networks for Visual Recognition and Description, Donahue et al.

Learning a Recurrent Visual Representation for Image Caption Generation, Chen and Zitnick

Recurrent Neural Network



Convolutional Neural Network



test image

[This image](#) is [CC0 public domain](#)

image

conv-64

conv-64

maxpool

conv-128

conv-128

maxpool

conv-256

conv-256

maxpool

conv-512

conv-512

maxpool

conv-512

conv-512

maxpool

FC-4096

FC-4096

FC-1000

softmax



test image

image

conv-64

conv-64

maxpool

conv-128

conv-128

maxpool

conv-256

conv-256

maxpool

conv-512

conv-512

maxpool

conv-512

conv-512

maxpool

FC-4096

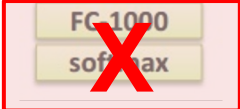
FC-4096

FC-1000

softmax



test image



image

conv-64

conv-64

maxpool

conv-128

conv-128

maxpool

conv-256

conv-256

maxpool

conv-512

conv-512

maxpool

conv-512

conv-512

maxpool

FC-4096

FC-4096



test image

x0
<START
>

image

conv-64

conv-64

maxpool

conv-128

conv-128

maxpool

conv-256

conv-256

maxpool

conv-512

conv-512

maxpool

conv-512

conv-512

maxpool

FC-4096

FC-4096

V



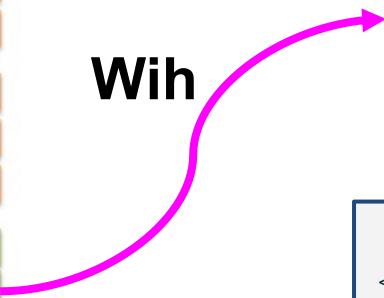
test image

y0

h0

x0
<START
>

W_{ih}



before:

$$h = \tanh(W_{xh} * x + W_{hh} * h)$$

now:

$$h = \tanh(W_{xh} * x + W_{hh} * h + W_{ih} * v)$$

image

conv-64

conv-64

maxpool

conv-128

conv-128

maxpool

conv-256

conv-256

maxpool

conv-512

conv-512

maxpool

conv-512

conv-512

maxpool

FC-4096

FC-4096



test image

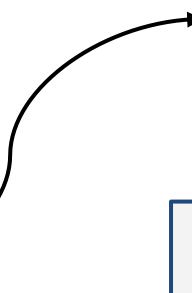
y0

h0

x0
<START
>

straw

sample!



image

conv-64

conv-64

maxpool

conv-128

conv-128

maxpool

conv-256

conv-256

maxpool

conv-512

conv-512

maxpool

conv-512

conv-512

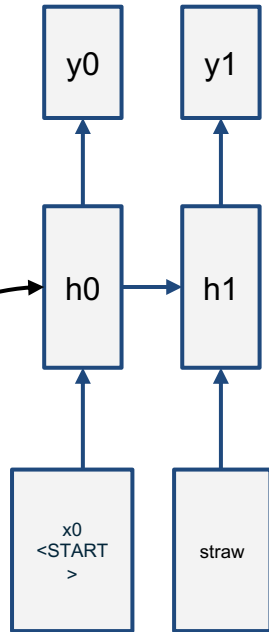
maxpool

FC-4096

FC-4096

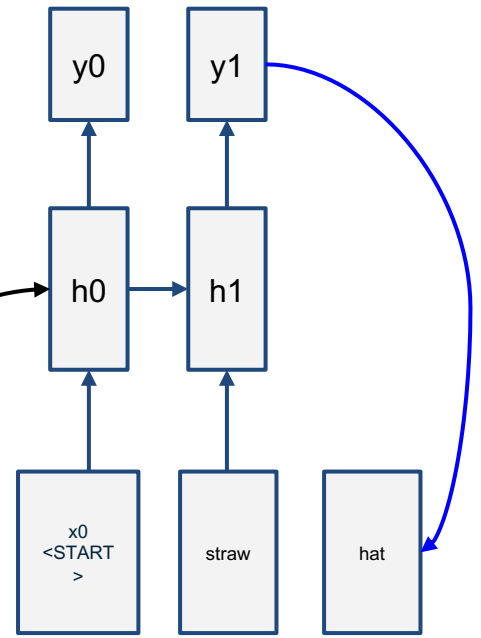
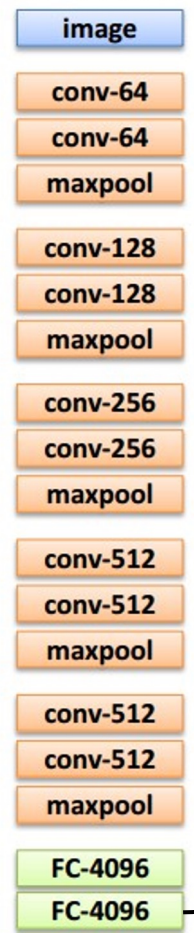


test image

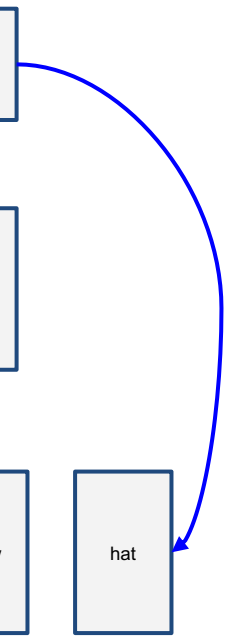




test image

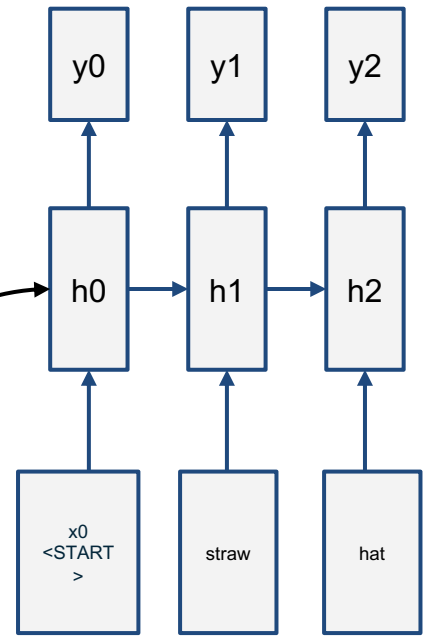
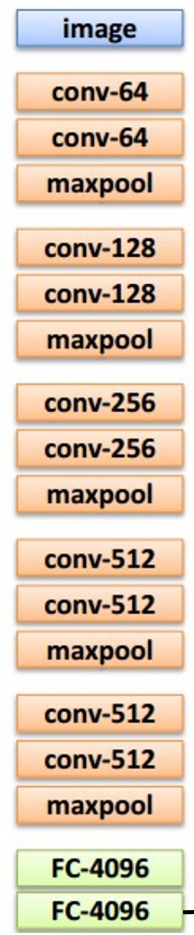


sample!





test image



image

conv-64

conv-64

maxpool

conv-128

conv-128

maxpool

conv-256

conv-256

maxpool

conv-512

conv-512

maxpool

conv-512

conv-512

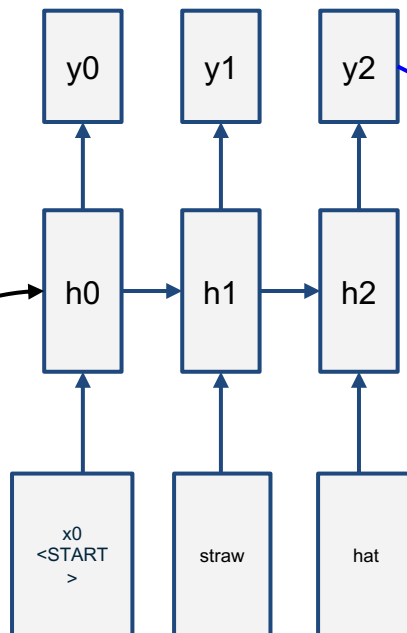
maxpool

FC-4096

FC-4096



test image



sample
<END> token
=> finish.

Image Captioning: Example Results

Captions generated using
[neuraltalk2](#)
All images are [CC0 Public domain](#)
[cat](#) [suitcase](#) [cat](#) [tree](#) [dog](#) [bear](#)
[surfers](#) [tennis](#) [giraffe](#) [motorcycle](#)



A cat sitting on a suitcase on the floor



A cat is sitting on a tree branch



A dog is running in the grass with a frisbee



A white teddy bear sitting in the grass



Two people walking on the beach with surfboards



A tennis player in action on the court



Two giraffes standing in a grassy field



A man riding a dirt bike on a dirt track

Image Captioning: Failure Cases

Captions generated using [neuraltalk2](#)
All images are [CC0 Public domain](#): [fur coat](#), [handstand](#), [spider web](#), [baseball](#)



A woman is holding a cat in her hand



A woman standing on a beach holding a surfboard



A bird is perched on a tree branch



A person holding a computer mouse on a desk



A man in a baseball uniform throwing a ball

Visual Question Answering (VQA)



Q: What endangered animal is featured on the truck?

- A: A bald eagle.**
- A: A sparrow.
- A: A humming bird.
- A: A raven.



Q: Where will the driver go if turning right?

- A: Onto 24 3/4 Rd.**
- A: Onto 25 3/4 Rd.
- A: Onto 23 3/4 Rd.
- A: Onto Main Street.



Q: When was the picture taken?

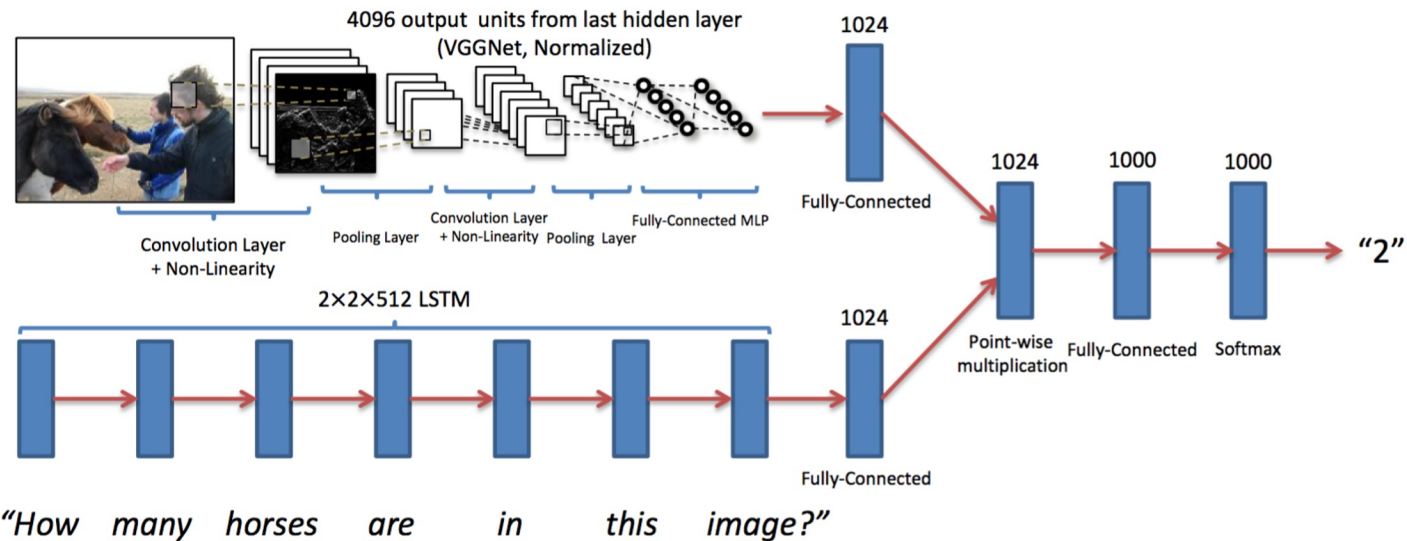
- A: During a wedding.**
- A: During a bar mitzvah.
- A: During a funeral.
- A: During a Sunday church service



Q: Who is under the umbrella?

- A: Two women.**
- A: A child.
- A: An old man.
- A: A husband and a wife.

Visual Question Answering: RNNs with Attention



Visual Dialog: Conversations about images

Visual Dialog



A cat drinking water out of a coffee mug.

What color is the mug?

White and red

Are there any pictures on it?

No, something is there can't tell what it is

Is the mug and cat on a table?

Yes, they are

Are there other items on the table?

Yes, magazines, books, toaster and basket, and a plate

Start typing question here ...

Visual Language Navigation: Go to the living room

Agent encodes instructions in language and uses an RNN to generate a series of movements as the visual input changes after each move.

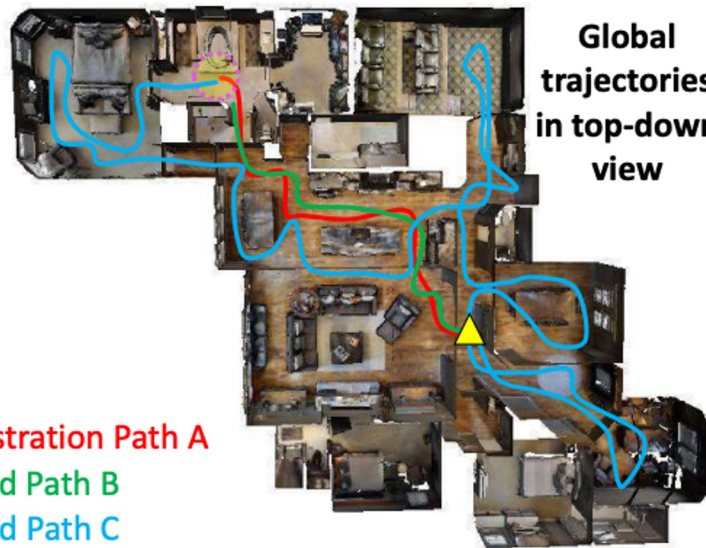
Instruction

Turn right and head towards the *kitchen*. Then turn left, pass a *table* and enter the *hallway*. Walk down the hallway and turn into the *entry way* to your right *without doors*. Stop in front of the *toilet*.

Local visual scene



Global trajectories in top-down view



▲ Initial Position

● Target Position

— Demonstration Path A

— Executed Path B

— Executed Path C

RNN tradeoffs

RNN Advantages:

- Can process any length input
- Computation for step t can (in theory) use information from many steps back
- Model size doesn't increase for longer input
- Same weights applied on every timestep, so there is symmetry in how inputs are processed.

RNN Disadvantages:

- Recurrent computation is slow
- In practice, difficult to access information from many steps back
- **Vanishing gradient / gradient explosion**

Long Short Term Memory (LSTM)

Vanilla RNN

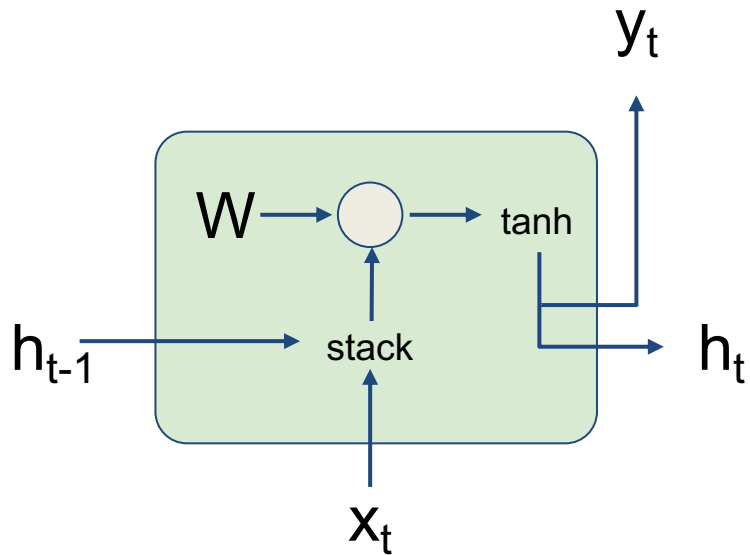
$$h_t = \tanh \left(W \begin{pmatrix} h_{t-1} \\ x_t \end{pmatrix} \right)$$

LSTM

$$\begin{pmatrix} i \\ f \\ o \\ g \end{pmatrix} = \begin{pmatrix} \sigma \\ \sigma \\ \sigma \\ \tanh \end{pmatrix} W \begin{pmatrix} h_{t-1} \\ x_t \end{pmatrix}$$
$$c_t = f \odot c_{t-1} + i \odot g$$
$$h_t = o \odot \tanh(c_t)$$

Vanilla RNN Gradient Flow

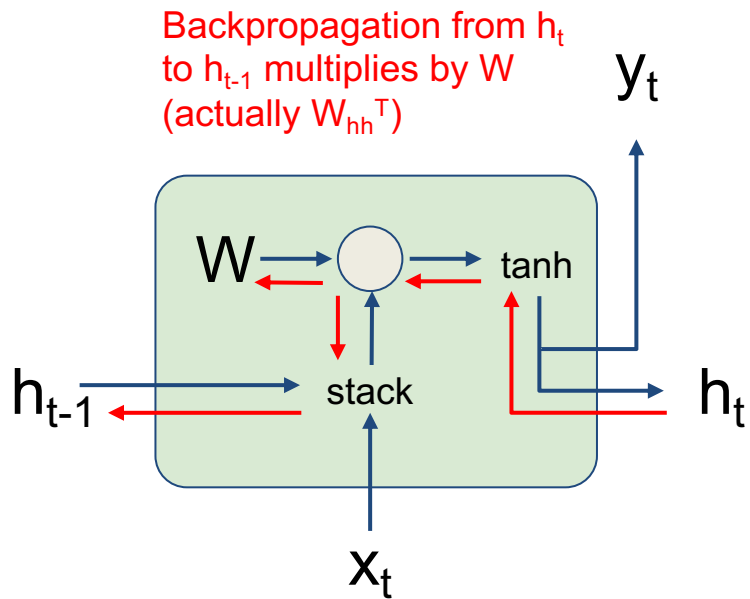
Bengio et al, "Learning long-term dependencies with gradient descent is difficult", IEEE Transactions on Neural Networks, 1994
Pascanu et al, "On the difficulty of training recurrent neural networks", ICML 2013



$$\begin{aligned} h_t &= \tanh(W_{hh}h_{t-1} + W_{hx}x_t) \\ &= \tanh\left(\begin{pmatrix} W_{hh} & W_{hx} \end{pmatrix} \begin{pmatrix} h_{t-1} \\ x_t \end{pmatrix}\right) \\ &= \tanh\left(W \begin{pmatrix} h_{t-1} \\ x_t \end{pmatrix}\right) \end{aligned}$$

Vanilla RNN Gradient Flow

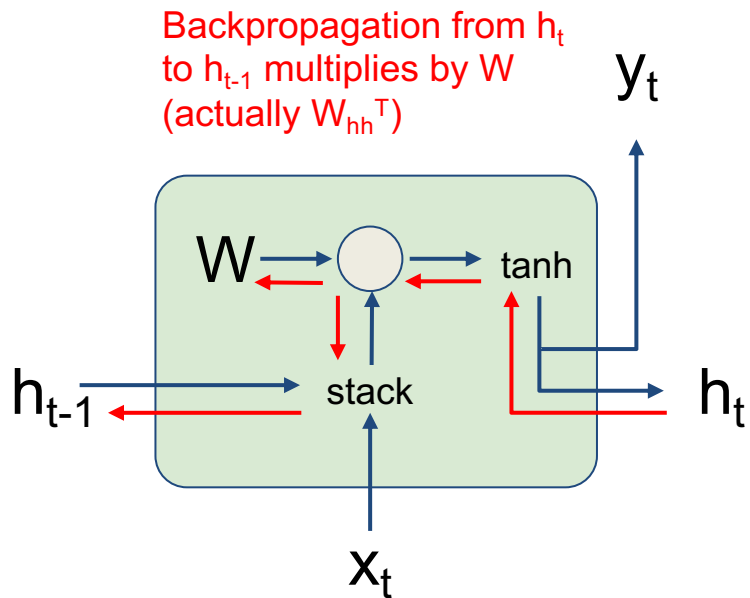
Bengio et al, "Learning long-term dependencies with gradient descent is difficult", IEEE Transactions on Neural Networks, 1994
Pascanu et al, "On the difficulty of training recurrent neural networks", ICML 2013



$$\begin{aligned}h_t &= \tanh(W_{hh}h_{t-1} + W_{hx}x_t) \\ &= \tanh\left(\begin{pmatrix} W_{hh} & W_{hx} \end{pmatrix} \begin{pmatrix} h_{t-1} \\ x_t \end{pmatrix}\right) \\ &= \tanh\left(W \begin{pmatrix} h_{t-1} \\ x_t \end{pmatrix}\right)\end{aligned}$$

Vanilla RNN Gradient Flow

Bengio et al, "Learning long-term dependencies with gradient descent is difficult", IEEE Transactions on Neural Networks, 1994
Pascanu et al, "On the difficulty of training recurrent neural networks", ICML 2013

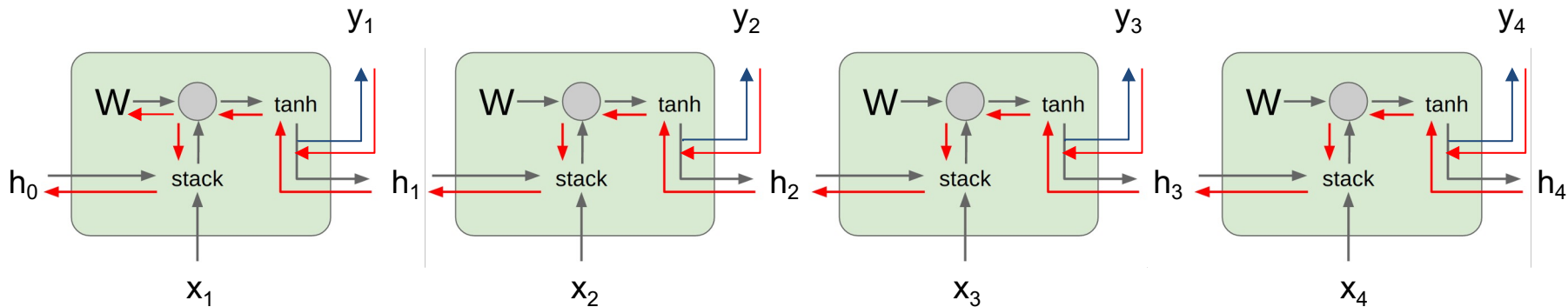


$$\begin{aligned}h_t &= \tanh(W_{hh}h_{t-1} + W_{xh}x_t) \\&= \tanh\left(\begin{pmatrix} W_{hh} & W_{hx} \end{pmatrix} \begin{pmatrix} h_{t-1} \\ x_t \end{pmatrix}\right) \\&= \tanh\left(W \begin{pmatrix} h_{t-1} \\ x_t \end{pmatrix}\right)\end{aligned}$$

$$\frac{\partial h_t}{\partial h_{t-1}} = \tanh'(W_{hh}h_{t-1} + W_{xh}x_t)W_{hh}$$

Vanilla RNN Gradient Flow

Bengio et al, "Learning long-term dependencies with gradient descent is difficult", IEEE Transactions on Neural Networks, 1994
Pascanu et al, "On the difficulty of training recurrent neural networks", ICML 2013

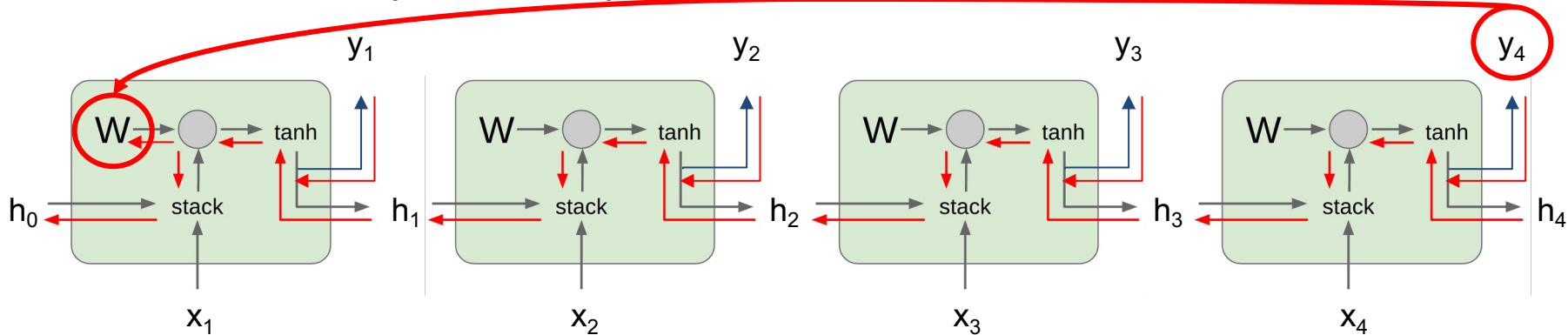


$$\frac{\partial L}{\partial W} = \sum_{t=1}^T \frac{\partial L_t}{\partial W}$$

Vanilla RNN Gradient Flow

Gradients over multiple time steps:

Bengio et al, "Learning long-term dependencies with gradient descent is difficult", IEEE Transactions on Neural Networks, 1994
Pascanu et al, "On the difficulty of training recurrent neural networks", ICML 2013



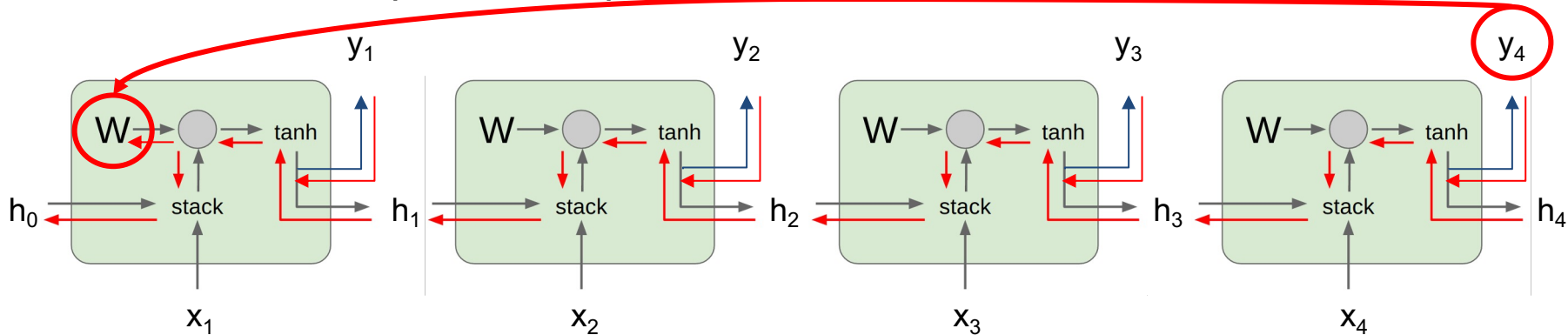
$$\frac{\partial L}{\partial W} = \sum_{t=1}^T \frac{\partial L_t}{\partial W}$$

$$\frac{\partial L_T}{\partial W} = \frac{\partial L_T}{\partial h_T} \frac{\partial h_T}{\partial h_{t-1}} \cdots \frac{\partial h_1}{\partial W}$$

Vanilla RNN Gradient Flow

Bengio et al, "Learning long-term dependencies with gradient descent is difficult", IEEE Transactions on Neural Networks, 1994
Pascanu et al, "On the difficulty of training recurrent neural networks", ICML 2013

Gradients over multiple time steps:



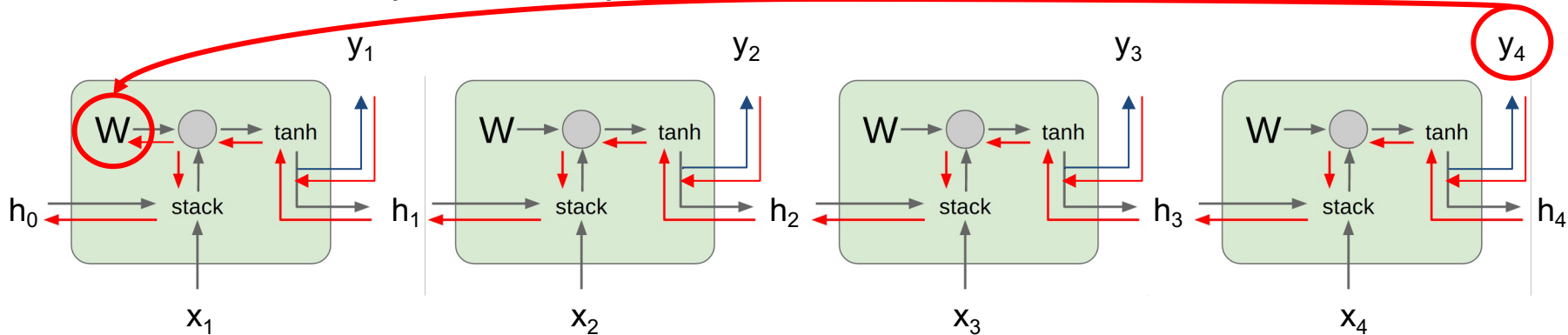
$$\frac{\partial L}{\partial W} = \sum_{t=1}^T \frac{\partial L_t}{\partial W}$$

$$\frac{\partial L_T}{\partial W} = \frac{\partial L_T}{\partial h_T} \frac{\partial h_T}{\partial h_{T-1}} \cdots \frac{\partial h_1}{\partial W} = \frac{\partial L_T}{\partial h_T} \left(\prod_{t=2}^T \frac{\partial h_t}{\partial h_{t-1}} \right) \frac{\partial h_1}{\partial W}$$

Vanilla RNN Gradient Flow

Gradients over multiple time steps:

Bengio et al, "Learning long-term dependencies with gradient descent is difficult", IEEE Transactions on Neural Networks, 1994
 Pascanu et al, "On the difficulty of training recurrent neural networks", ICML 2013



$$\frac{\partial L}{\partial W} = \sum_{t=1}^T \frac{\partial L_t}{\partial W}$$

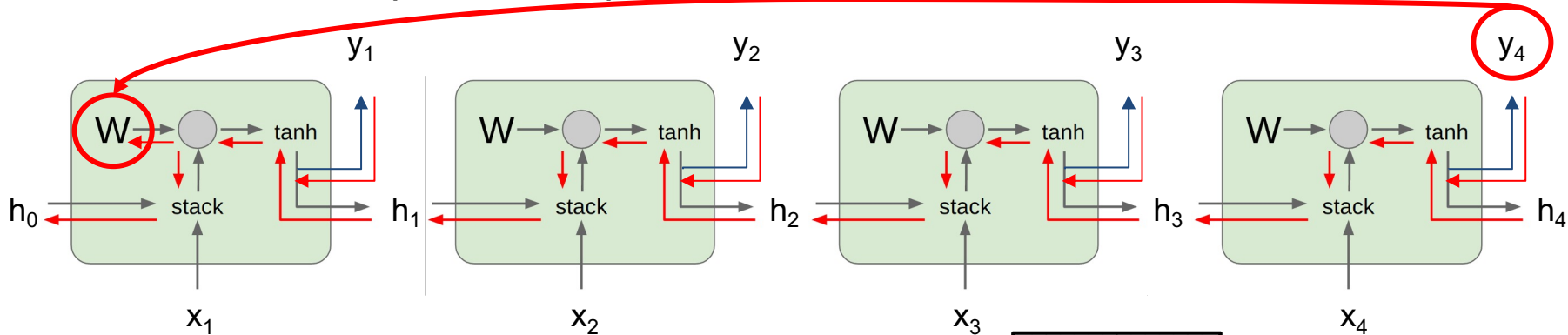
$$\frac{\partial h_t}{\partial h_{t-1}} = \tanh'(W_{hh} h_{t-1} + W_{xh} x_t) W_{hh}$$

$$\frac{\partial L_T}{\partial W} = \frac{\partial L_T}{\partial h_T} \frac{\partial h_T}{\partial h_{t-1}} \cdots \frac{\partial h_1}{\partial W} = \frac{\partial L_T}{\partial h_T} \left(\prod_{t=2}^T \frac{\partial h_t}{\partial h_{t-1}} \right) \frac{\partial h_1}{\partial W}$$

Vanilla RNN Gradient Flow

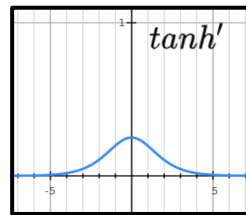
Gradients over multiple time steps:

Bengio et al, "Learning long-term dependencies with gradient descent is difficult", IEEE Transactions on Neural Networks, 1994
 Pascanu et al, "On the difficulty of training recurrent neural networks", ICML 2013



$$\frac{\partial L}{\partial W} = \sum_{t=1}^T \frac{\partial L_t}{\partial W}$$

Always < 1
Vanishing gradients

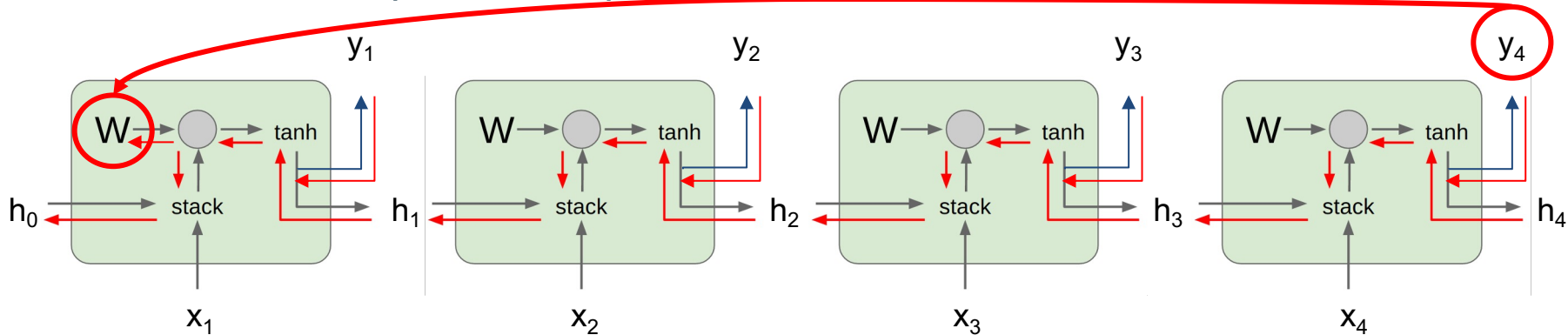


$$\frac{\partial L_T}{\partial W} = \frac{\partial L_T}{\partial h_T} \left(\prod_{t=2}^T \tanh'(W_{hh} h_{t-1} + W_{xh} x_t) \right) W_{hh}^{T-1} \frac{\partial h_1}{\partial W}$$

Vanilla RNN Gradient Flow

Gradients over multiple time steps:

Bengio et al, "Learning long-term dependencies with gradient descent is difficult", IEEE Transactions on Neural Networks, 1994
Pascanu et al, "On the difficulty of training recurrent neural networks", ICML 2013



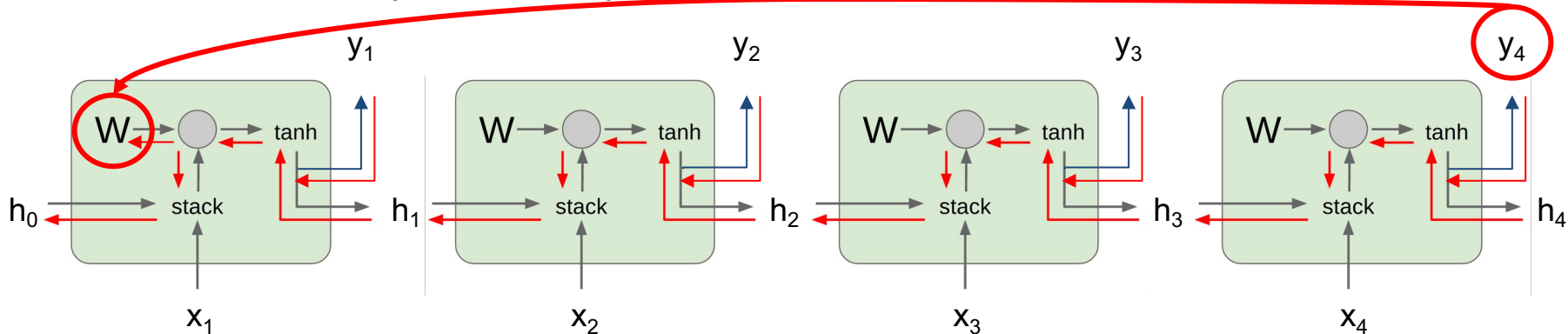
$$\frac{\partial L}{\partial W} = \sum_{t=1}^T \frac{\partial L_t}{\partial W}$$

What if we assumed no non-linearity?

Vanilla RNN Gradient Flow

Gradients over multiple time steps:

Bengio et al, "Learning long-term dependencies with gradient descent is difficult", IEEE Transactions on Neural Networks, 1994
Pascanu et al, "On the difficulty of training recurrent neural networks", ICML 2013



What if we assumed no non-linearity?

$$\frac{\partial L}{\partial W} = \sum_{t=1}^T \frac{\partial L_t}{\partial W}$$

Largest eigen value > 1:
Exploding gradients

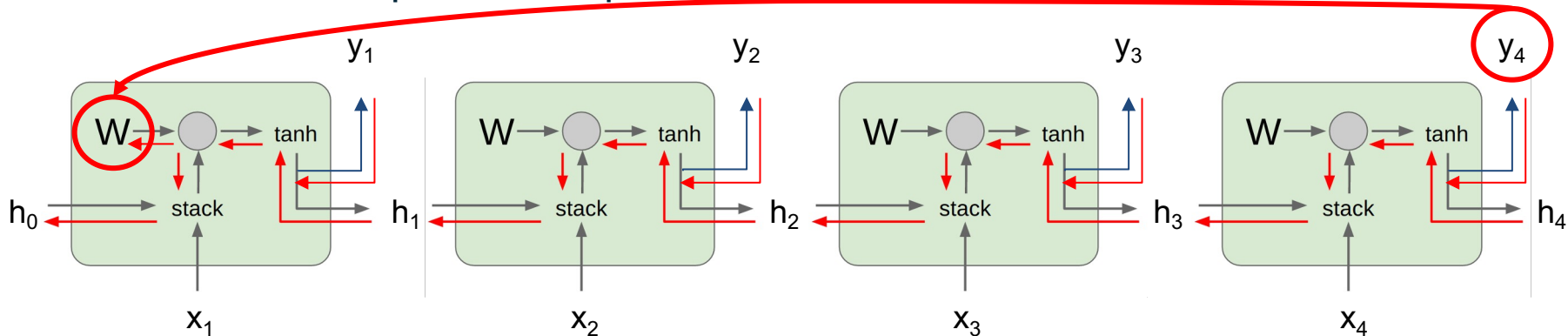
$$\frac{\partial L_T}{\partial W} = \frac{\partial L_T}{\partial h_T} \boxed{W_{hh}^{T-1}} \frac{\partial h_1}{\partial W}$$

Largest eigen value < 1:
Vanishing gradients

Vanilla RNN Gradient Flow

Gradients over multiple time steps:

Bengio et al, "Learning long-term dependencies with gradient descent is difficult", IEEE Transactions on Neural Networks, 1994
Pascanu et al, "On the difficulty of training recurrent neural networks", ICML 2013



What if we assumed no non-linearity?

$$\frac{\partial L}{\partial W} = \sum_{t=1}^T \frac{\partial L_t}{\partial W}$$

$$\frac{\partial L_T}{\partial W} = \frac{\partial L_T}{\partial h_T} \boxed{W_{hh}^{T-1}} \frac{\partial h_1}{\partial W}$$

Largest eigen value > 1:
Exploding gradients

Largest eigen value < 1:
Vanishing gradients

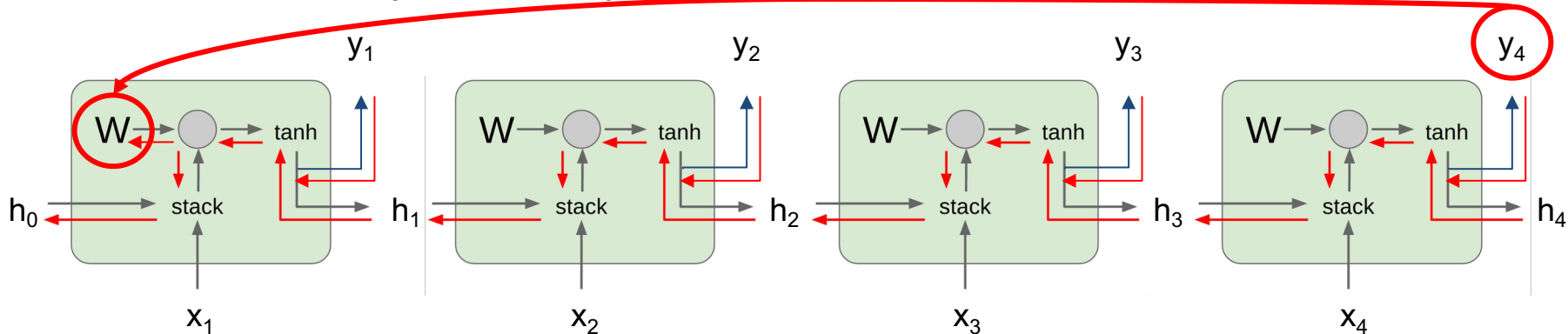
→ **Gradient clipping:**
Scale gradient if its norm is too big

```
grad_norm = np.sum(grad * grad)
if grad_norm > threshold:
    grad *= (threshold / grad_norm)
```

Vanilla RNN Gradient Flow

Gradients over multiple time steps:

Bengio et al, "Learning long-term dependencies with gradient descent is difficult", IEEE Transactions on Neural Networks, 1994
 Pascanu et al, "On the difficulty of training recurrent neural networks", ICML 2013



What if we assumed no non-linearity?

$$\frac{\partial L}{\partial W} = \sum_{t=1}^T \frac{\partial L_t}{\partial W}$$

Largest eigen value > 1:
Exploding gradients

$$\frac{\partial L_T}{\partial W} = \frac{\partial L_T}{\partial h_T} \boxed{W_{hh}^{T-1}} \frac{\partial h_1}{\partial W}$$

Largest eigen value < 1:
Vanishing gradients

→ We need a new RNN architecture!

Long Short Term Memory (LSTM)

Vanilla RNN

$$h_t = \tanh \left(W \begin{pmatrix} h_{t-1} \\ x_t \end{pmatrix} \right)$$

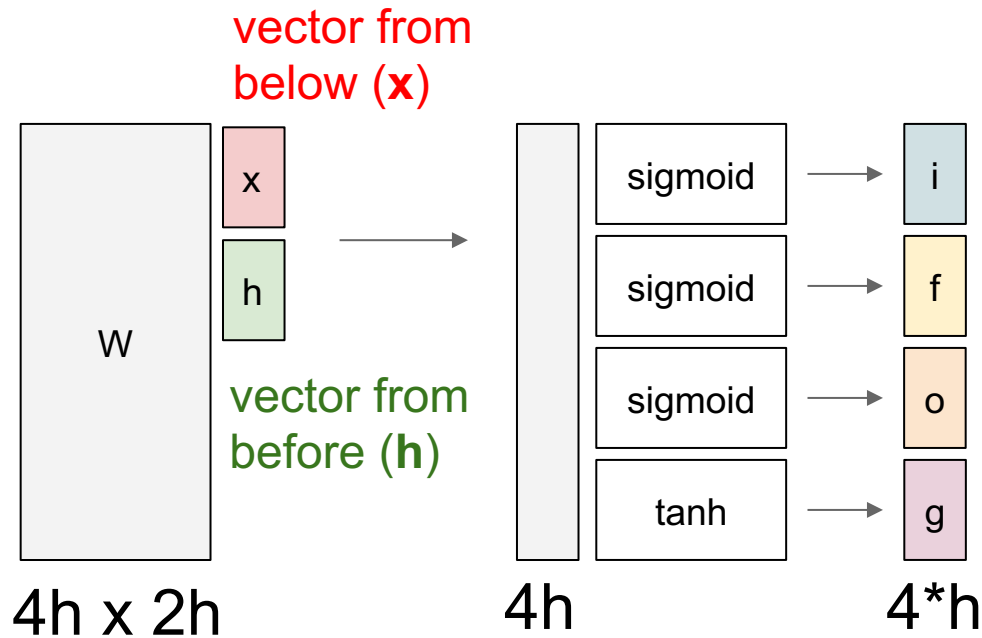
LSTM

$$\begin{pmatrix} i \\ f \\ o \\ g \end{pmatrix} = \begin{pmatrix} \sigma \\ \sigma \\ \sigma \\ \tanh \end{pmatrix} W \begin{pmatrix} h_{t-1} \\ x_t \end{pmatrix}$$
$$c_t = f \odot c_{t-1} + i \odot g$$
$$h_t = o \odot \tanh(c_t)$$

Learn to control information flow from previous state to the next state

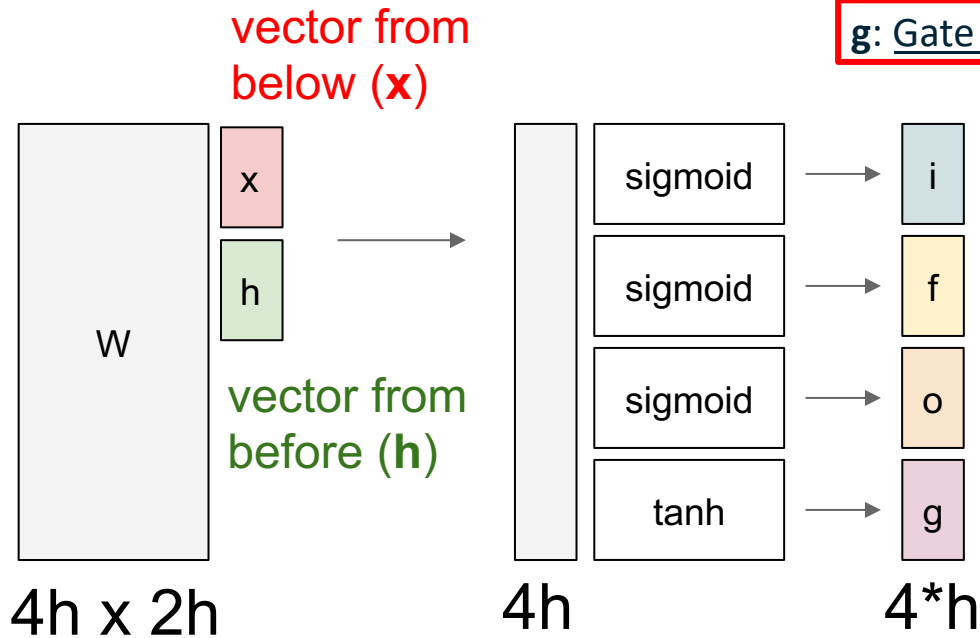
Long Short Term Memory (LSTM)

[Hochreiter et al., 1997]



Long Short Term Memory (LSTM)

[Hochreiter et al., 1997]



g : Gate gate (?), How much to write to cell

$$\begin{pmatrix} i \\ f \\ o \\ g \end{pmatrix} = \begin{pmatrix} \sigma \\ \sigma \\ \sigma \\ \tanh \end{pmatrix} W \begin{pmatrix} h_{t-1} \\ x_t \end{pmatrix}$$

$$c_t = f \odot c_{t-1} + i \odot g$$

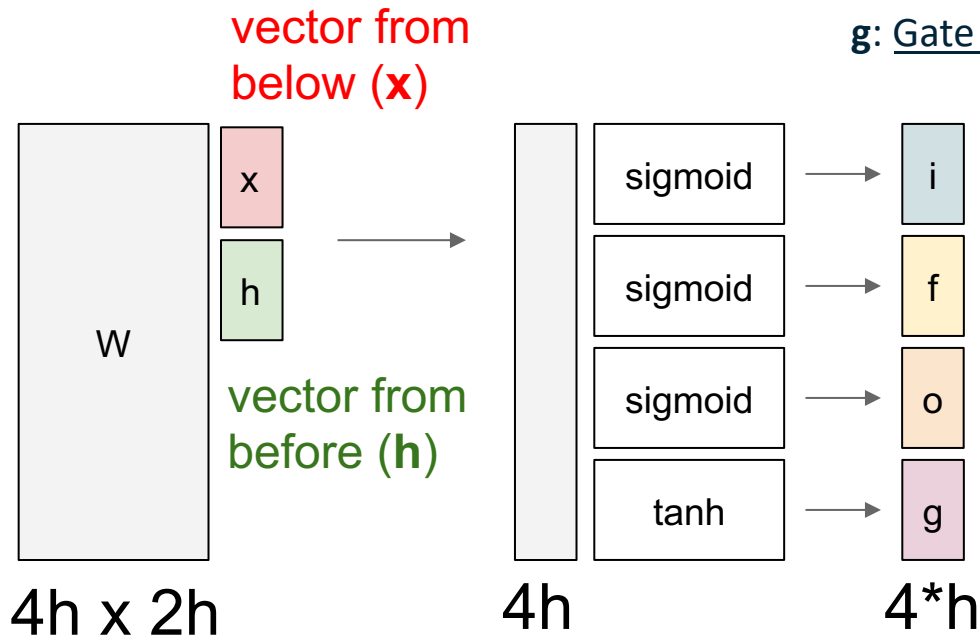
$$h_t = o \odot \tanh(c_t)$$

Long Short Term Memory (LSTM)

[Hochreiter et al., 1997]

i: Input gate, whether to write to cell

g: Gate gate (?), How much to write to cell



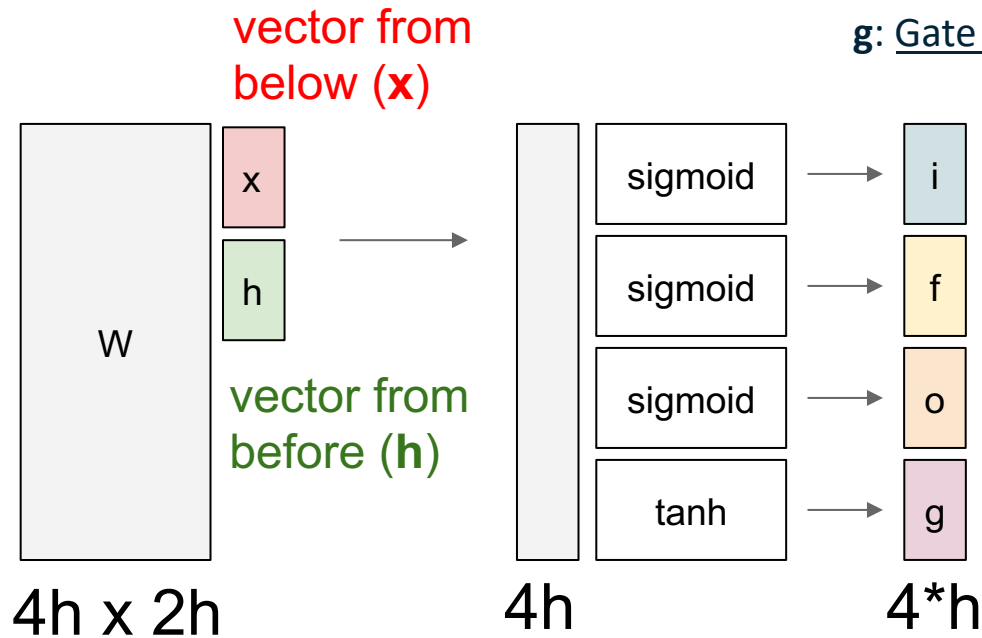
$$\begin{pmatrix} i \\ f \\ o \\ g \end{pmatrix} = \begin{pmatrix} \sigma \\ \sigma \\ \sigma \\ \tanh \end{pmatrix} W \begin{pmatrix} h_{t-1} \\ x_t \end{pmatrix}$$

$$c_t = f \odot c_{t-1} + i \odot g$$

$$h_t = o \odot \tanh(c_t)$$

Long Short Term Memory (LSTM)

[Hochreiter et al., 1997]



i : Input gate, whether to write to cell

f : Forget gate, Whether to erase cell

g : Gate gate (?), How much to write to cell

$$\begin{pmatrix} i \\ f \\ o \\ g \end{pmatrix} = \begin{pmatrix} \sigma \\ \sigma \\ \sigma \\ \tanh \end{pmatrix} W \begin{pmatrix} h_{t-1} \\ x_t \end{pmatrix}$$

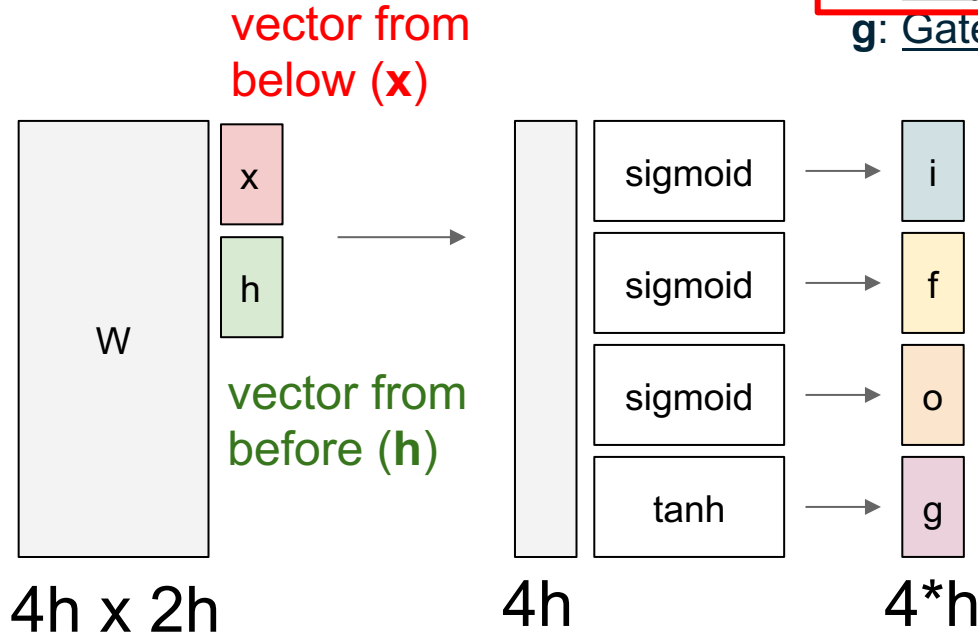
$$c_t = f \odot c_{t-1} + i \odot g$$

$$h_t = o \odot \tanh(c_t)$$

Long Short Term Memory (LSTM)

[Hochreiter et al., 1997]

- i: Input gate, whether to write to cell
- f: Forget gate, Whether to erase cell
- o: Output gate, How much to reveal cell**
- g: Gate gate (?), How much to write to cell



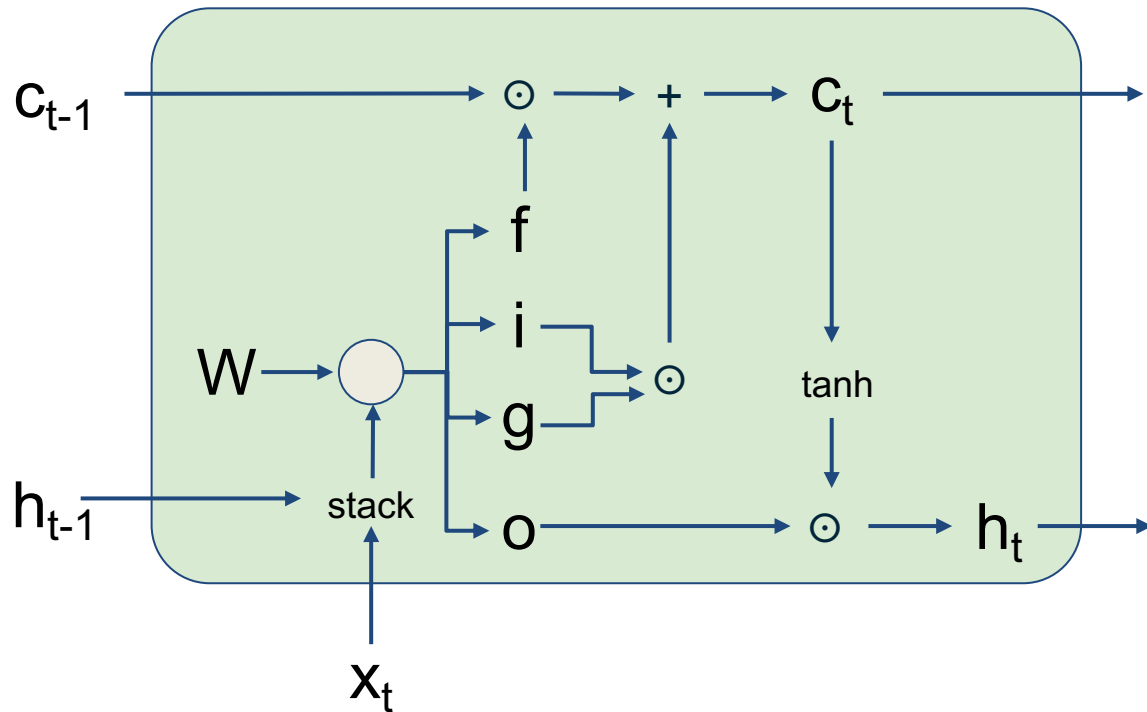
$$\begin{pmatrix} i \\ f \\ o \\ g \end{pmatrix} = \begin{pmatrix} \sigma \\ \sigma \\ \sigma \\ \tanh \end{pmatrix} W \begin{pmatrix} h_{t-1} \\ x_t \end{pmatrix}$$

$$c_t = f \odot c_{t-1} + i \odot g$$

$$h_t = o \odot \tanh(c_t)$$

Long Short Term Memory (LSTM)

[Hochreiter et al., 1997]



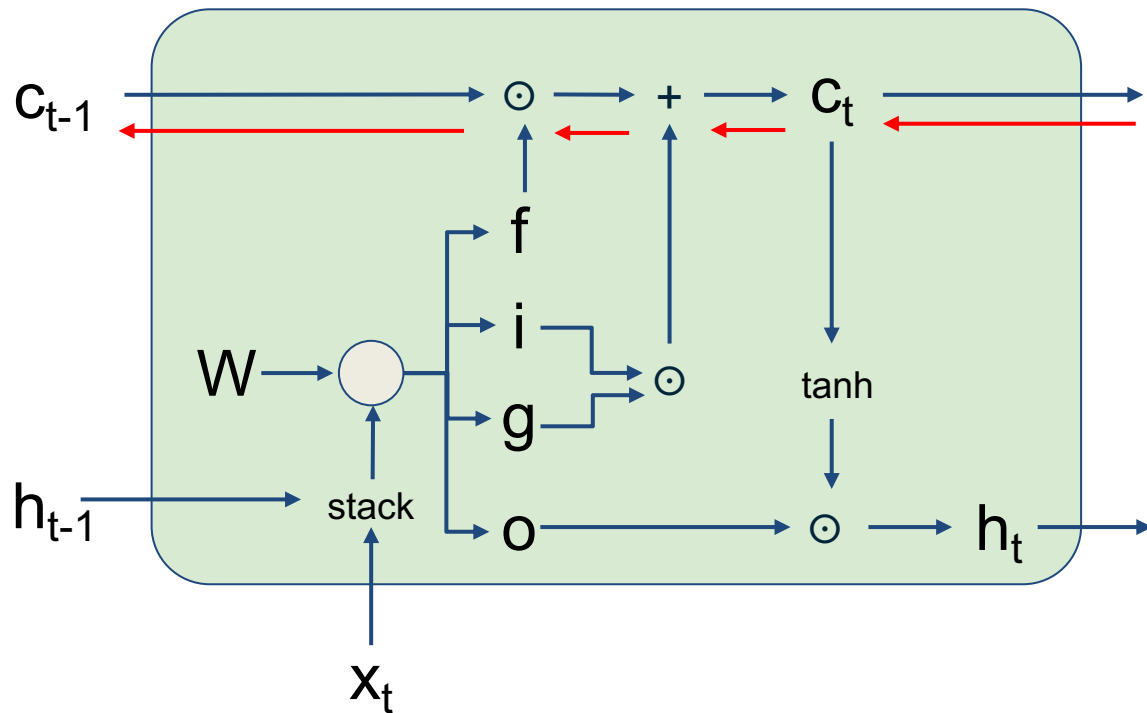
$$\begin{pmatrix} i \\ f \\ o \\ g \end{pmatrix} = \begin{pmatrix} \sigma \\ \sigma \\ \sigma \\ \tanh \end{pmatrix} W \begin{pmatrix} h_{t-1} \\ x_t \end{pmatrix}$$

$$c_t = f \odot c_{t-1} + i \odot g$$

$$h_t = o \odot \tanh(c_t)$$

Long Short Term Memory (LSTM): Gradient Flow

[Hochreiter et al., 1997]



Backpropagation from c_t to c_{t-1} only elementwise multiplication by f , no matrix multiply by W

$$\begin{pmatrix} i \\ f \\ o \\ g \end{pmatrix} = \begin{pmatrix} \sigma \\ \sigma \\ \sigma \\ \tanh \end{pmatrix} W \begin{pmatrix} h_{t-1} \\ x_t \end{pmatrix}$$

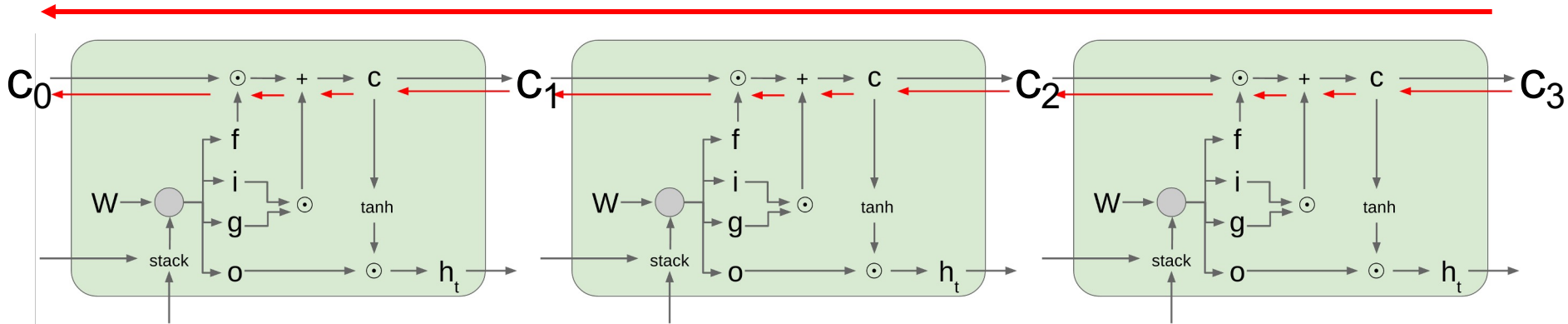
$$c_t = f \odot c_{t-1} + i \odot g$$

$$h_t = o \odot \tanh(c_t)$$

Long Short Term Memory (LSTM): Gradient Flow

[Hochreiter et al., 1997]

Uninterrupted gradient flow!



Notice that the gradient contains the **f** gate's vector of activations

- allows better control of gradients values, using suitable parameter updates of the forget gate.

Also notice that are added through the **f**, **i**, **g**, and **o** gates

- better balancing of gradient values

Do LSTMs solve the vanishing gradient problem?

The LSTM architecture makes it easier for the RNN to preserve information over many timesteps

- e.g. **if the $f = 1$ and the $i = 0$** , then the information of that cell is preserved indefinitely.
- By contrast, it's harder for vanilla RNN to learn a recurrent weight matrix W_h that preserves info in hidden state

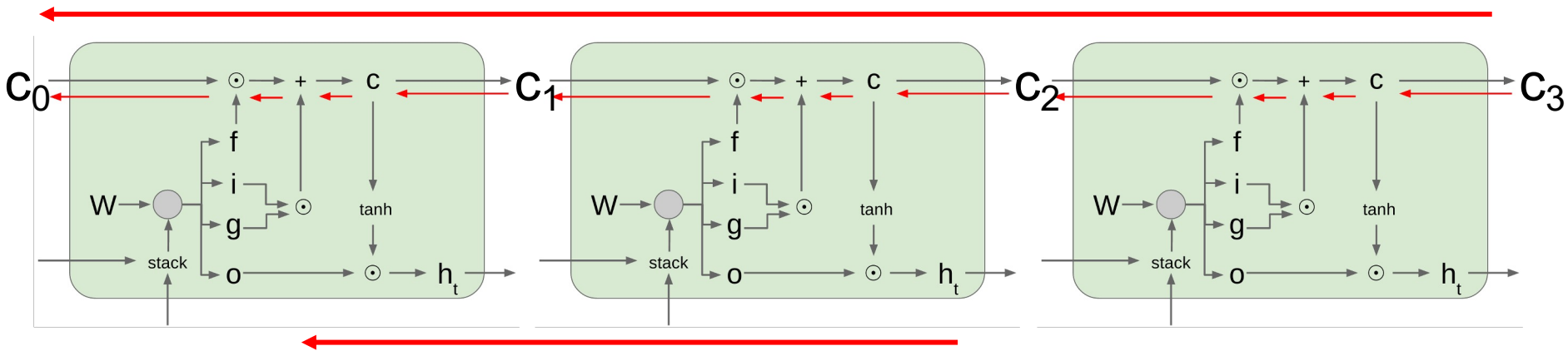
LSTM **doesn't guarantee** that there is no vanishing/exploding gradient, but it does provide an easier way for the model to learn long-distance dependencies.

It is possible to mitigate vanishing / exploding gradient by learning the correct i and f .

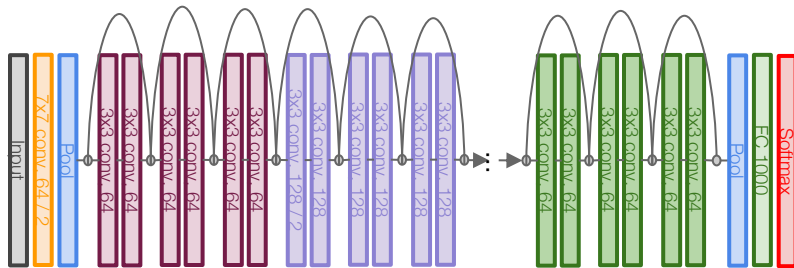
Long Short Term Memory (LSTM): Gradient Flow

[Hochreiter et al., 1997]

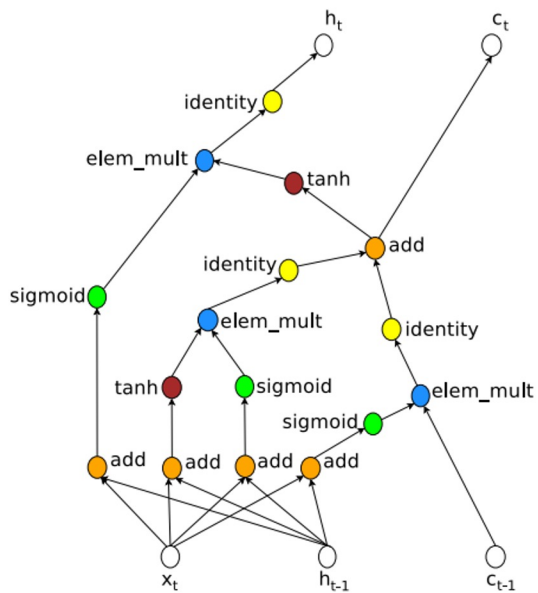
Uninterrupted gradient flow!



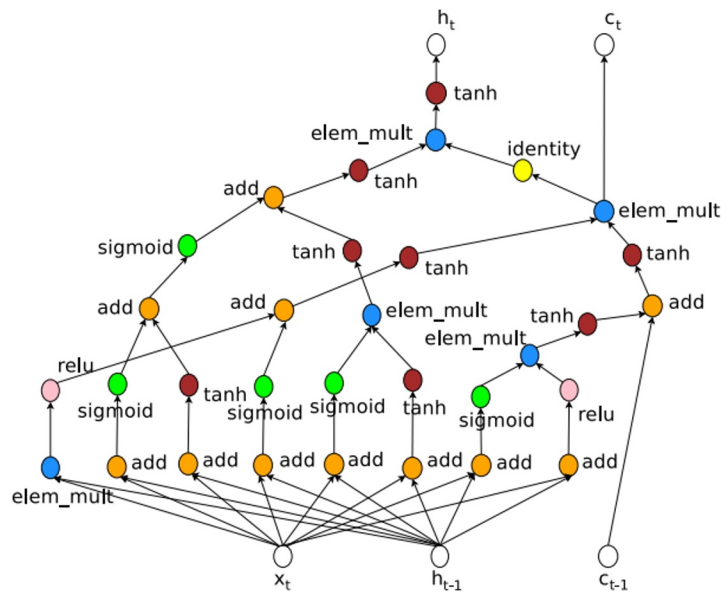
Similar to ResNet!



Neural Architecture Search for RNN architectures



LSTM cell



Cell they found

Other RNN Variants

GRU [*Learning phrase representations using rnn encoder-decoder for statistical machine translation*, Cho et al. 2014]

$$r_t = \sigma(W_{xr}x_t + W_{hr}h_{t-1} + b_r)$$

$$z_t = \sigma(W_{xz}x_t + W_{hz}h_{t-1} + b_z)$$

$$\tilde{h}_t = \tanh(W_{xh}x_t + W_{hh}(r_t \odot h_{t-1}) + b_h)$$

$$h_t = z_t \odot h_{t-1} + (1 - z_t) \odot \tilde{h}_t$$

Simpler than LSTM, control information flow without cell state.

[*LSTM: A Search Space Odyssey*, Greff et al., 2015]

[*An Empirical Exploration of Recurrent Network Architectures*, Jozefowicz et al., 2015]

MUT1:

$$z = \text{sigm}(W_{xz}x_t + b_z)$$

$$r = \text{sigm}(W_{xr}x_t + W_{hr}h_t + b_r)$$

$$h_{t+1} = \tanh(W_{hh}(r \odot h_t) + \tanh(x_t) + b_h) \odot z + h_t \odot (1 - z)$$

MUT2:

$$z = \text{sigm}(W_{xz}x_t + W_{hz}h_t + b_z)$$

$$r = \text{sigm}(x_t + W_{hr}h_t + b_r)$$

$$h_{t+1} = \tanh(W_{hh}(r \odot h_t) + W_{xh}x_t + b_h) \odot z + h_t \odot (1 - z)$$

MUT3:

$$z = \text{sigm}(W_{xz}x_t + W_{hz} \tanh(h_t) + b_z)$$

$$r = \text{sigm}(W_{xr}x_t + W_{hr}h_t + b_r)$$

$$h_{t+1} = \tanh(W_{hh}(r \odot h_t) + W_{xh}x_t + b_h) \odot z + h_t \odot (1 - z)$$

Recurrence for Vision

- LSTM was a good default choice until this year
- Use variants like GRU if you want faster compute and less parameters
- Use transformers (next lecture) as they are dominating NLP models
 - almost everyday there is a new vision transformer model

Su et al. "Vi-bert: Pre-training of generic visual-linguistic representations." ICLR 2020

Lu et al. "Vilbert: Pretraining task-agnostic visiolinguistic representations for vision-and-language tasks." NeurIPS 2019

Li et al. "Visualbert: A simple and performant baseline for vision and language." *arXiv* 2019

Summary

- RNNs allow a lot of flexibility in architecture design
- Vanilla RNNs are simple but don't work very well
- Common to use LSTM or GRU: their additive interactions improve gradient flow
- Backward flow of gradients in RNN can explode or vanish. Exploding is controlled with gradient clipping. Vanishing is controlled with additive interactions (LSTM)
- Better/simpler architectures are a hot topic of current research, as well as new paradigms for reasoning over sequences
- Better understanding (both theoretical and empirical) is needed.